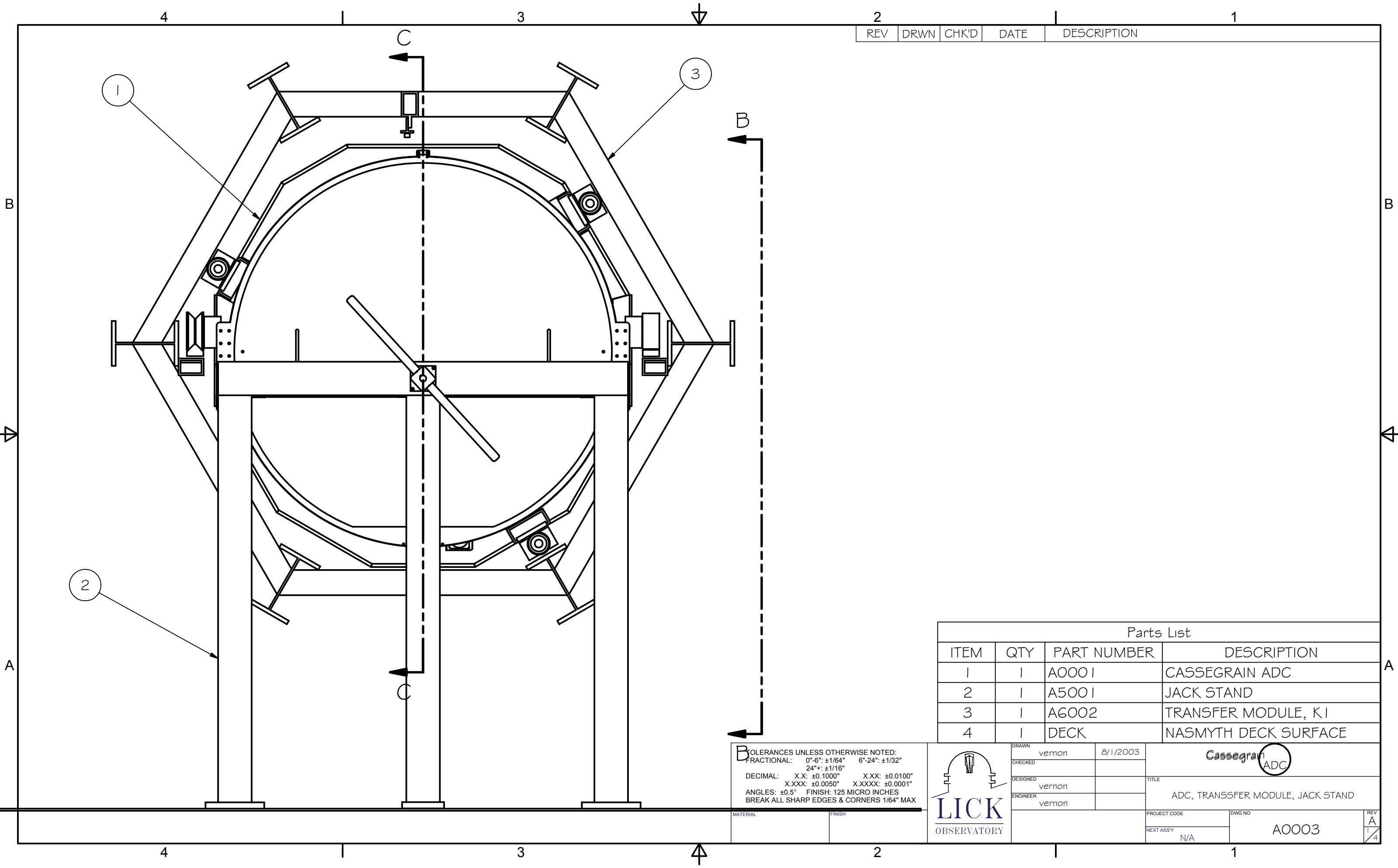
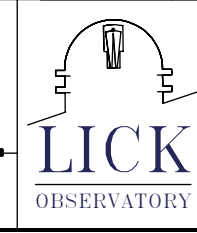


2	1				
REV	DRWN	CHK'D	DATE	DESCRIPTION	



Parts List			
ITEM	QTY	PART NUMBER	DESCRIPTION
1	1	A0001	CASSEGRAIN ADC
2	1	A5001	JACK STAND
3	1	A6002	TRANSFER MODULE, K1
4	1	DECK	NASMYTH DECK SURFACE

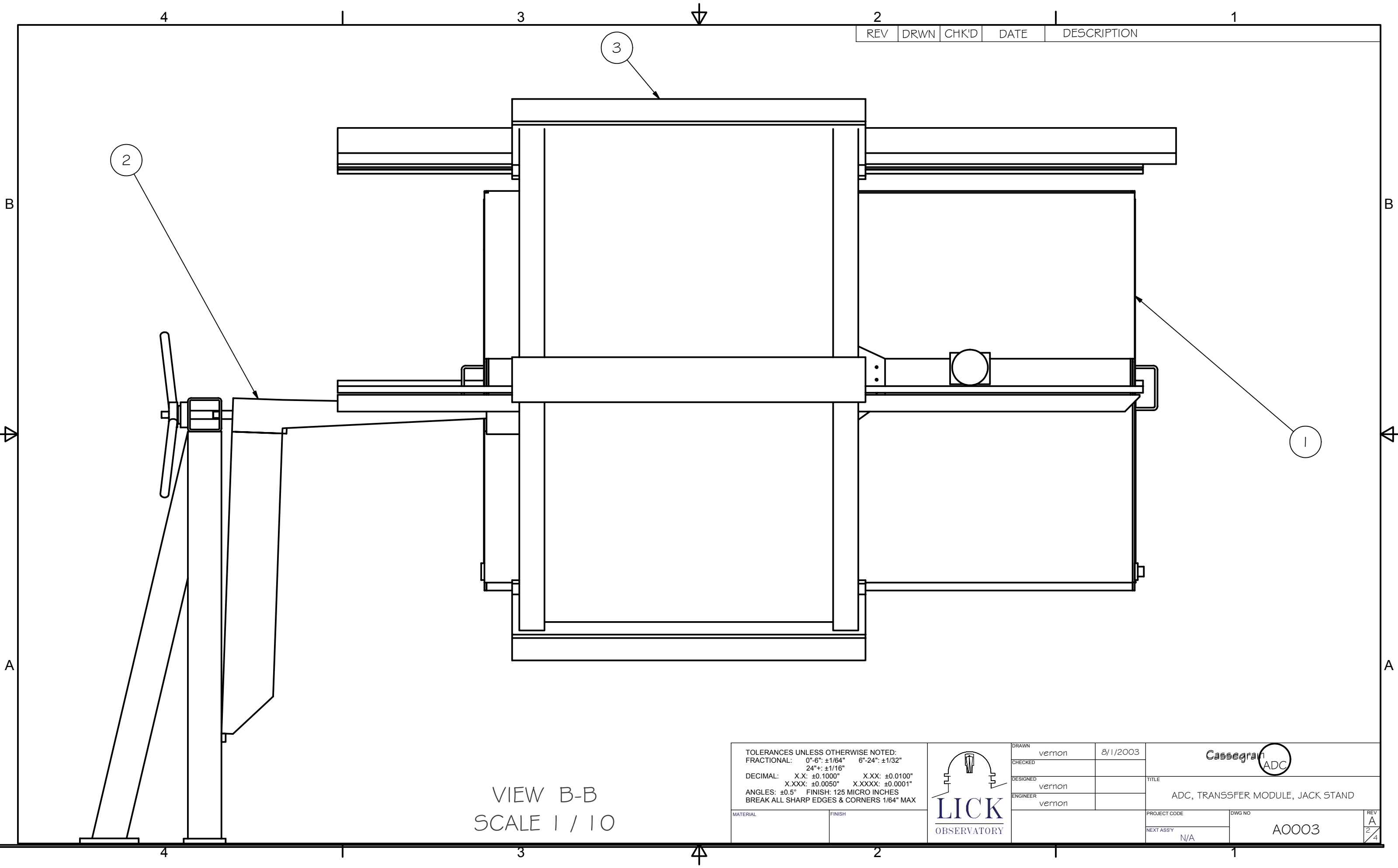
TOLERANCES UNLESS OTHERWISE NOTED:  
 FRACTIONAL: 0"-6": ±1/64" 6"-24": ±1/32"  
 24"+: ±1/16"  
 DECIMAL: X.X: ±0.1000" X.XX: ±0.0100"  
 X.XXX: ±0.0050" X.XXXX: ±0.0001"  
 ANGLES: ±0.5° FINISH: 125 MICRO INCHES  
 BREAK ALL SHARP EDGES & CORNERS 1/64" MAX



DRAWN	vernon	8/1/2003
CHECKED		
DESIGNED	vernon	
ENGINEER	vernon	

Cassegrain ADC	
TITLE	
ADC, TRANSFER MODULE, JACK STAND	

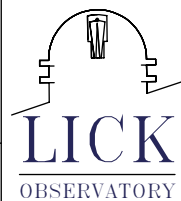
MATERIAL	FINISH	PROJECT CODE	DWG NO	REV
		N/A	A0003	A
				1/4



REV	DRWN	CHK'D	DATE	DESCRIPTION

VIEW B-B  
SCALE 1 / 10

TOLERANCES UNLESS OTHERWISE NOTED:  
 FRACTIONAL: 0"-6": ±1/64" 6"-24": ±1/32"  
 24"+: ±1/16"  
 DECIMAL: X.X: ±0.1000" X.XX: ±0.0100"  
 X.XXX: ±0.0050" X.XXXX: ±0.0001"  
 ANGLES: ±0.5° FINISH: 125 MICRO INCHES  
 BREAK ALL SHARP EDGES & CORNERS 1/64" MAX



DRAWN	vernon	8/1/2003
CHECKED		
DESIGNED	vernon	
ENGINEER	vernon	

Cassegrain ADC	
ADC, TRANSFER MODULE, JACK STAND	

MATERIAL	FINISH	PROJECT CODE	DWG NO	REV
		N/A	A0003	A
				2/4

4

3

2

1

REV	DRWN	CHK'D	DATE	DESCRIPTION

B

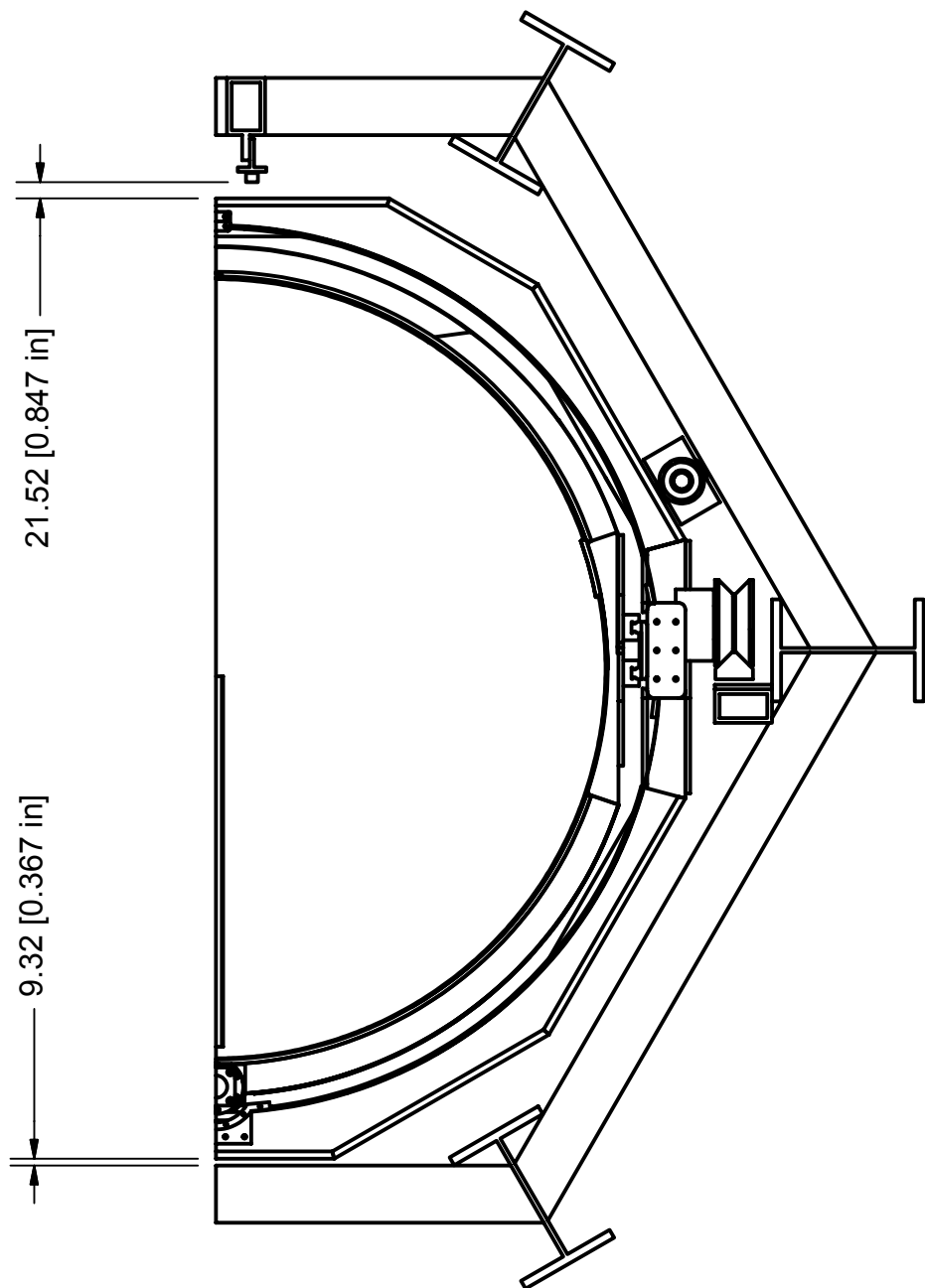
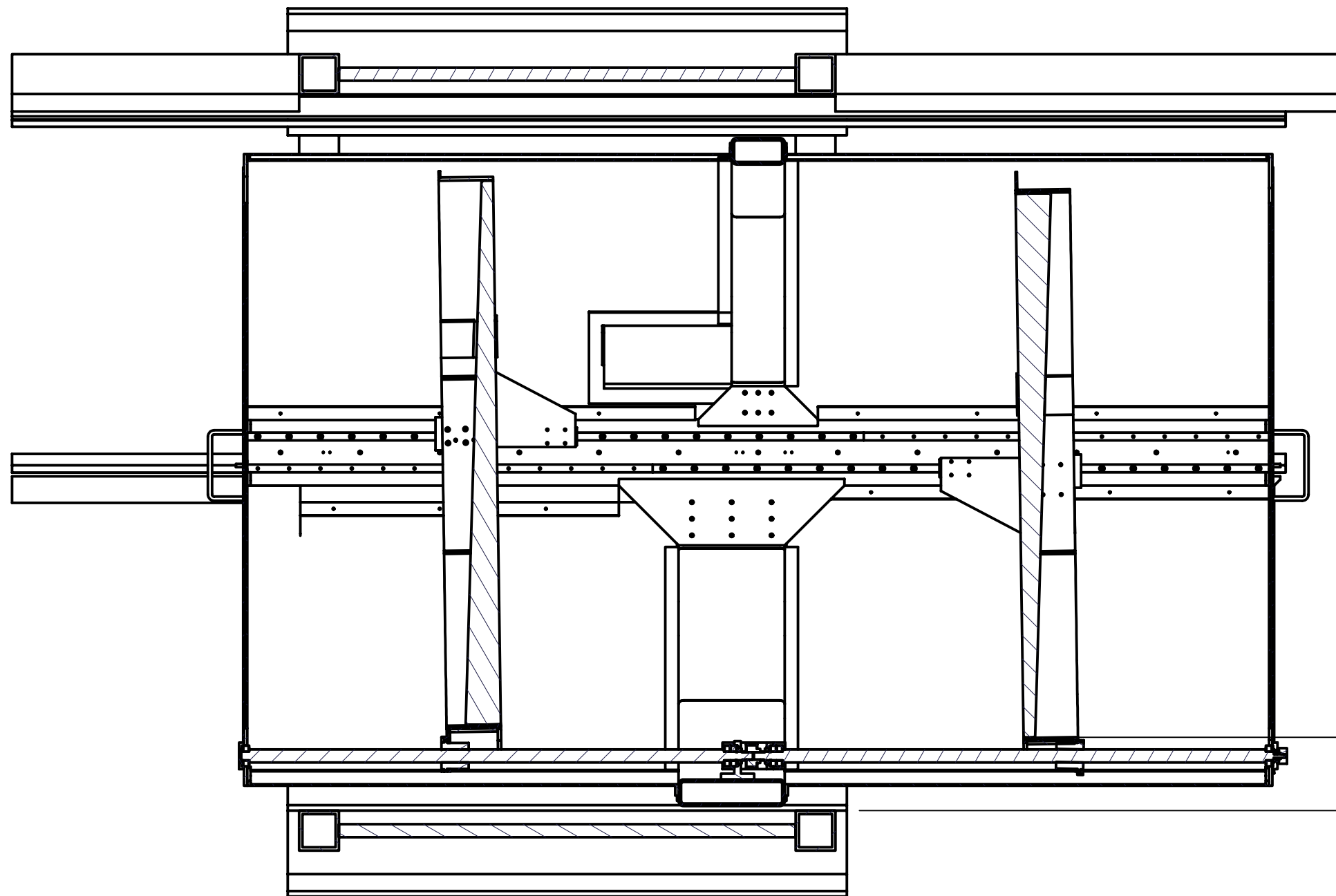
B

A

A

A

A



21.52 [0.847 in]

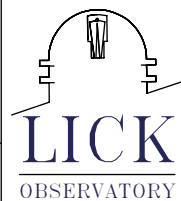
9.32 [0.367 in]

140.13 [5.517 in]

SECTION C-C  
SCALE 1 / 10

TOLERANCES UNLESS OTHERWISE NOTED:  
 FRACTIONAL: 0"-6": ±1/64" 6"-24": ±1/32"  
 24"+: ±1/16"  
 DECIMAL: X.X: ±0.1000" X.XX: ±0.0100"  
 X.XXX: ±0.0050" X.XXXX: ±0.0001"  
 ANGLES: ±0.5° FINISH: 125 MICRO INCHES  
 BREAK ALL SHARP EDGES & CORNERS 1/64" MAX

MATERIAL	FINISH



DRAWN	vernon	8/1/2003
CHECKED		
DESIGNED	vernon	
ENGINEER	vernon	

Cassegrain ADC	
ADC, TRANSFER MODULE, JACK STAND	

PROJECT CODE	DWG NO	REV
N/A	A0003	A
NEXT ASSY		3/4

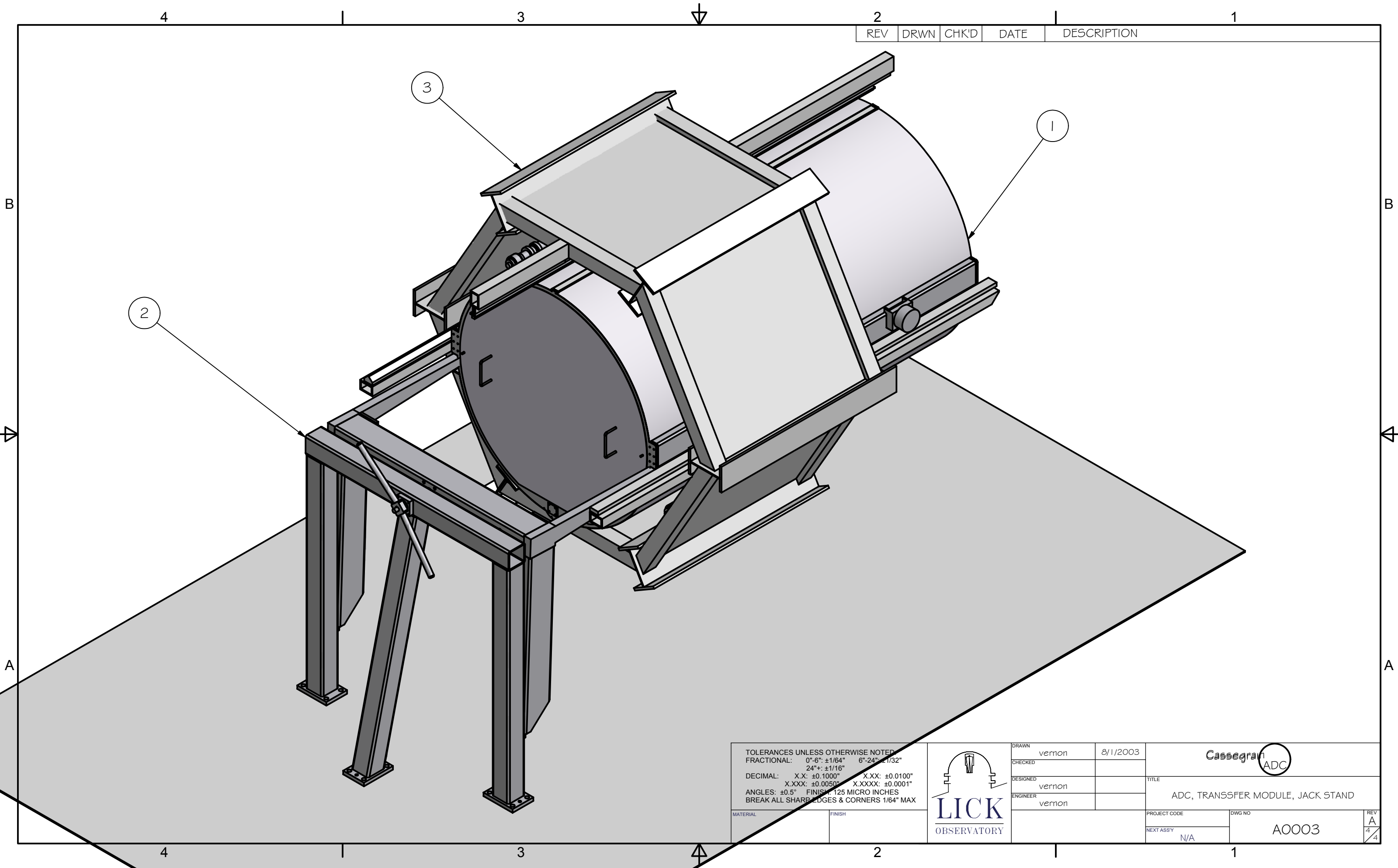
4

3

2

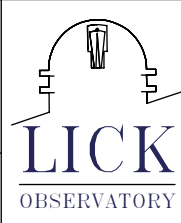
1





REV	DRWN	CHK'D	DATE	DESCRIPTION

TOLERANCES UNLESS OTHERWISE NOTED:  
 FRACTIONAL: 0"-6": ±1/64" 6"-24": ±1/32"  
 24"+: ±1/16"  
 DECIMAL: X.X: ±0.1000" X.XX: ±0.0100"  
 X.XXX: ±0.0050" X.XXXX: ±0.0001"  
 ANGLES: ±0.5° FINISH: 125 MICRO INCHES  
 BREAK ALL SHARP EDGES & CORNERS 1/64" MAX



DRAWN	vernon	8/1/2003
CHECKED		
DESIGNED	vernon	
ENGINEER	vernon	

Cassegrain ADC	
ADC, TRANSFER MODULE, JACK STAND	
PROJECT CODE	DWG NO
N/A	A0003
REV	A
4	4

MATERIAL	FINISH			
----------	--------	--	--	--