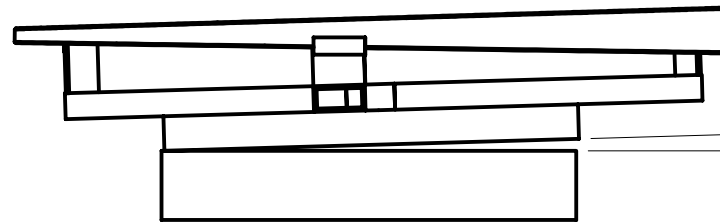
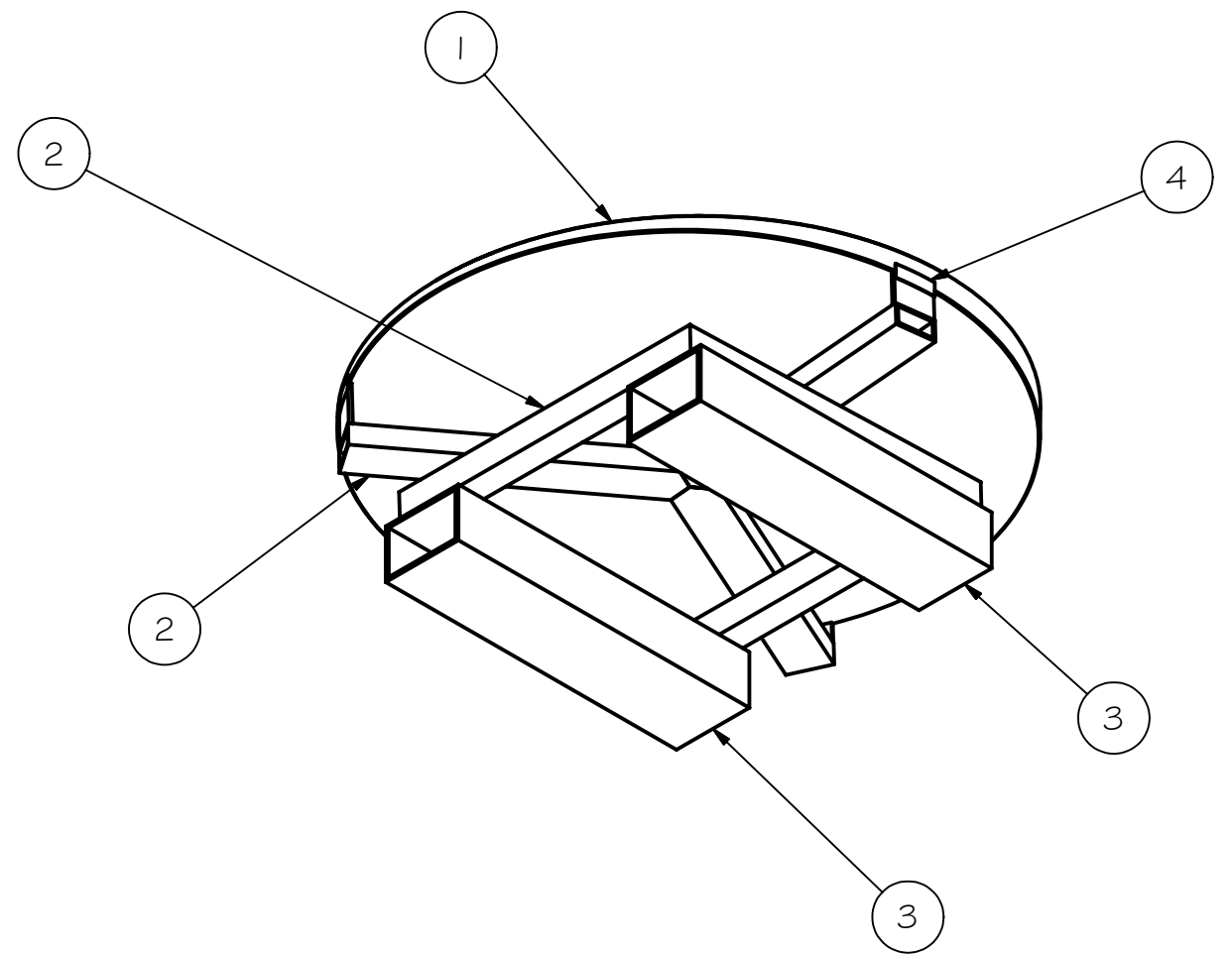
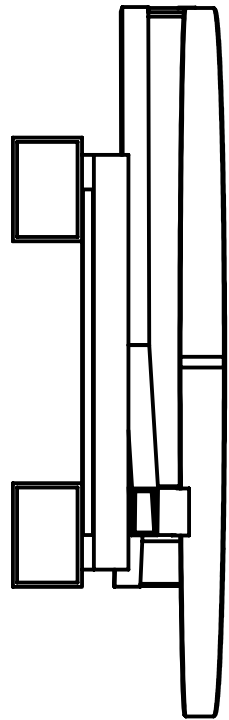
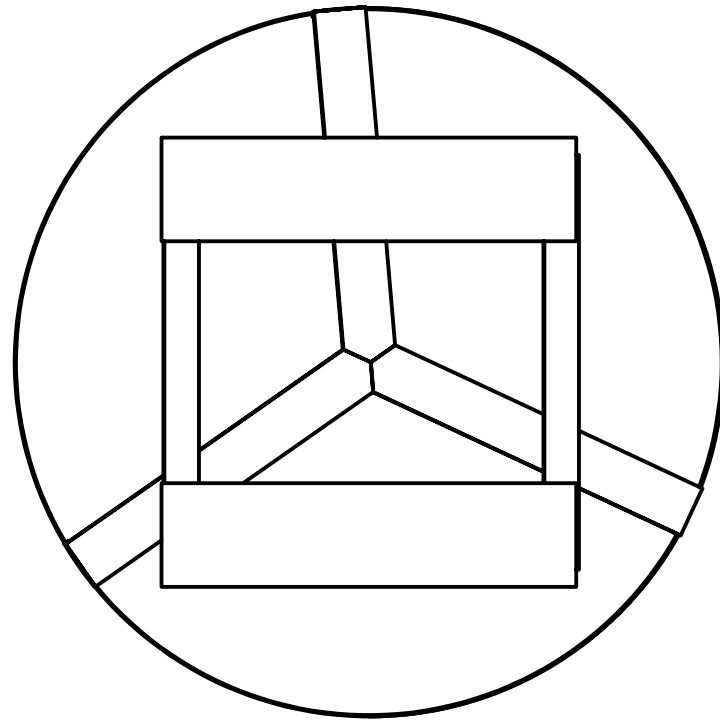


REV	DRWN	CHK'D	DATE	DESCRIPTION



1.67°  
 1.67° FOR AFT OPTIC  
 0.83° FOR FWD OPTIC



Parts List			
ITEM	QTY	PART NUMBER	DESCRIPTION
1	1	A2012	OPTIC ASSEMBLY
2	1	A8040	PRISM HOLDER
3	2	A8045	FORKLIFT PICK TUBE
4	3	A8047	RETAINER

TOLERANCES UNLESS OTHERWISE NOTED:  
 FRACTIONAL: 0"-6": ±1/64" 6"-24": ±1/32"  
 24"+: ±1/16"  
 DECIMAL: X.X: ±0.1000" X.XX: ±0.0100"  
 X.XXX: ±0.0050" X.XXXX: ±0.0001"  
 ANGLES: ±0.5° FINISH: 125 MICRO INCHES  
 BREAK ALL SHARP EDGES & CORNERS 1/64" MAX

MATERIAL: ALUMINUM  
 FINISH:



DRAWN: vernon 4/14/2004  
 CHECKED:   
 DESIGNED: vernon  
 ENGINEER: vernon  
 QTY: 1

Cassegrain ADC  
 TITLE: PRISM INSTALLATION FIXTURE  
 PROJECT CODE:   
 DWG NO: A8060  
 NEXT ASSY: N/A  
 REV: A