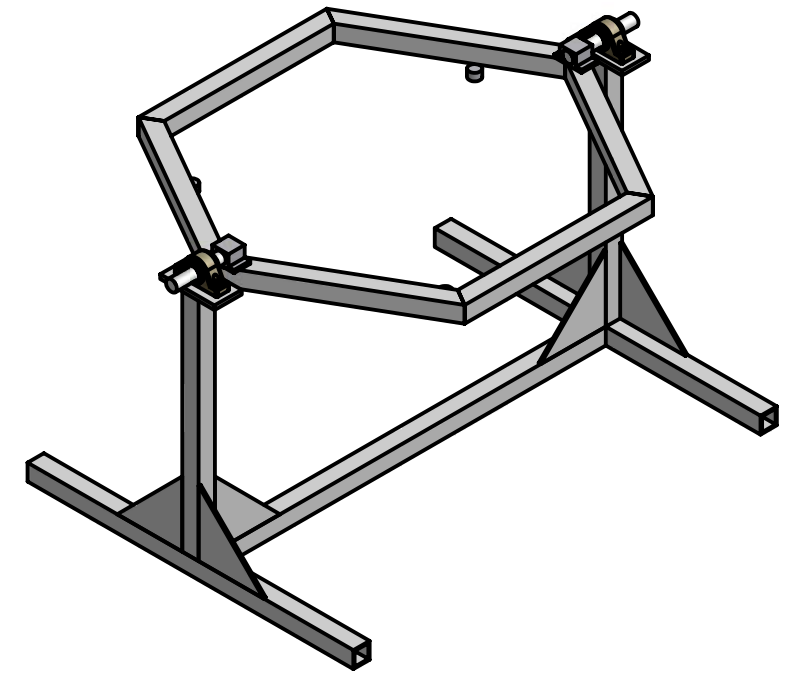
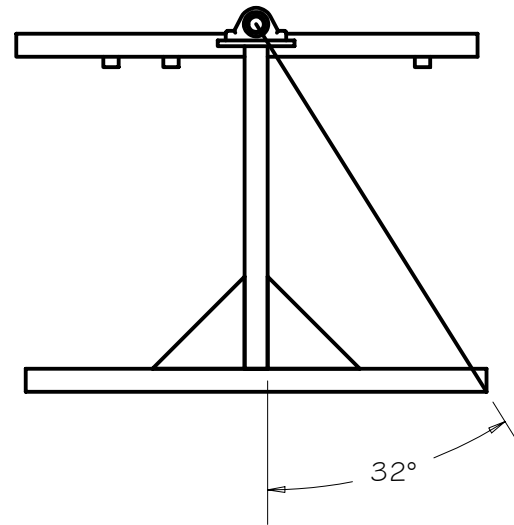
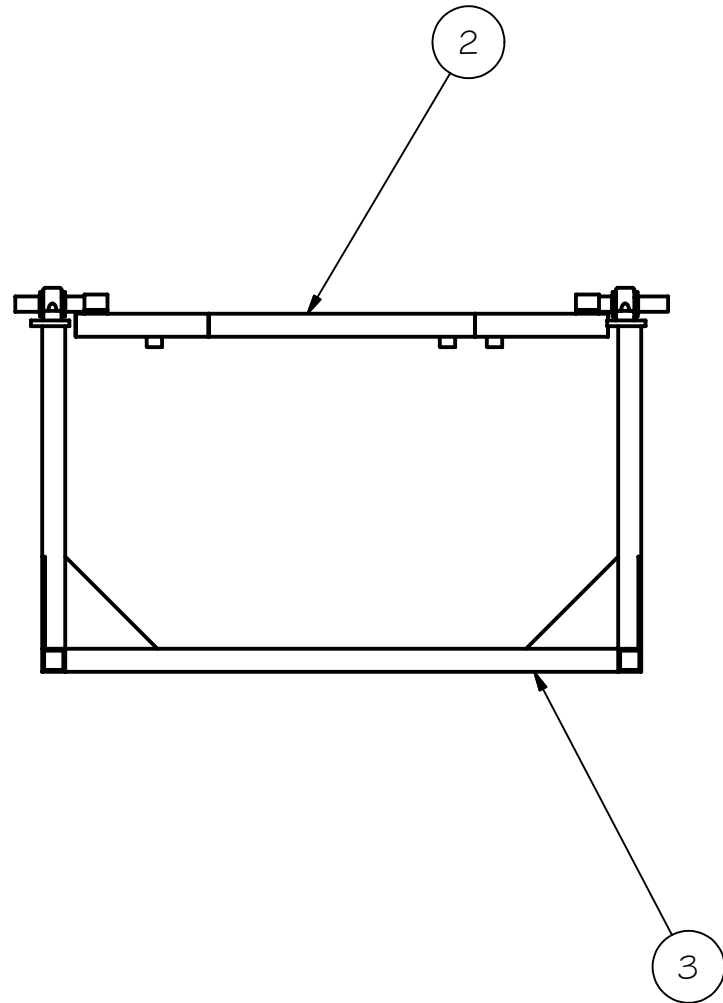


2	1	1	1	1
REV	DRWN	CHK'D	DATE	DESCRIPTION



Parts List			
ITEM	QTY	PART NUMBER	DESCRIPTION
2	1	A8010	FRAME, TEST
3	1	A8030	STAND, TEST

TOLERANCES UNLESS OTHERWISE NOTED: FRACTIONAL: 0"-6": ±1/64" 6"-24": ±1/32" 24"+: ±1/16" DECIMAL: X.X: ±0.1000" X.XX: ±0.0100" X.XXX: ±0.0050" X.XXXX: ±0.0001" ANGLES: ±0.5° FINISH: 125 MICRO INCHES BREAK ALL SHARP EDGES & CORNERS 1/64" MAX	DRAWN vernon 9/4/2003	Cassegrain ADC
	CHECKED  DESIGNED vernon ENGINEER vernon 9/4/2003	
MATERIAL  FINISH		PROJECT CODE NEXT ASSY A8002
		DWG NO A8001
		REV A 1/1