

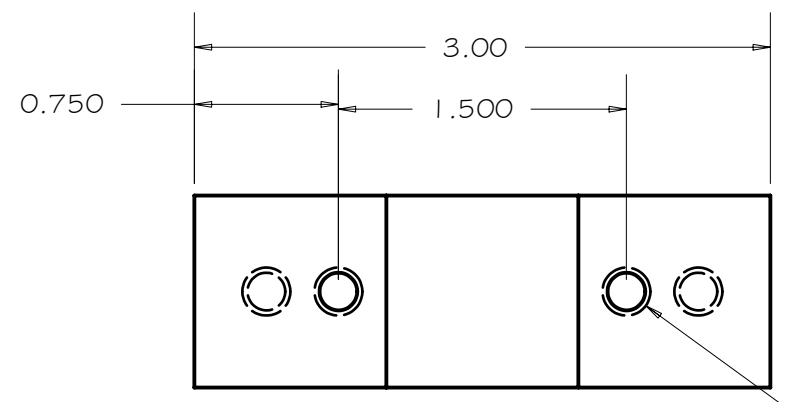
4

3

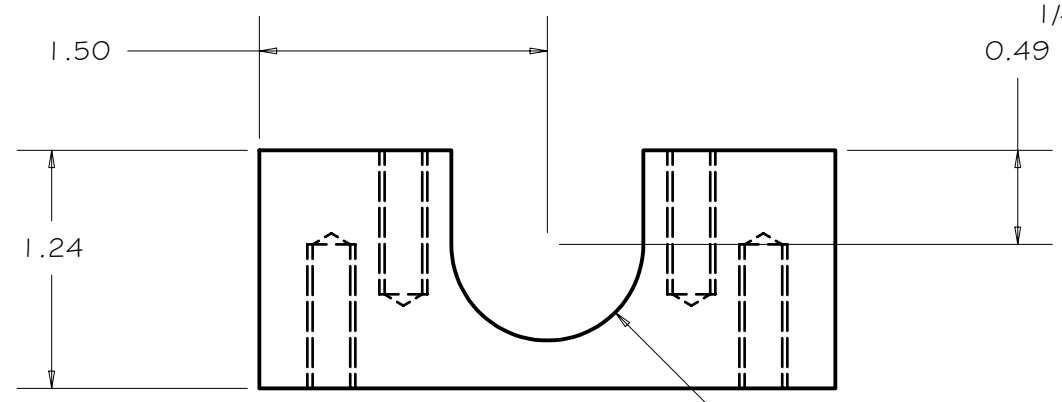
2

1

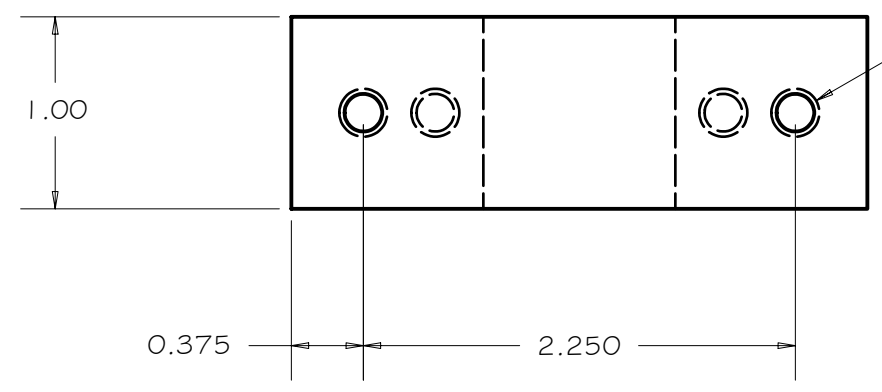
REV	DRWN	CHK'D	DATE	DESCRIPTION



2X $\varnothing 0.21 \nabla 0.75$
1/4-20 UNC - 2B



R0.50



2X $\varnothing 0.20 \nabla 0.75$
1/4-20 UNC - 2B

TOLERANCES UNLESS OTHERWISE NOTED:
 FRACTIONAL: 0"-6": $\pm 1/64$ " 6"-24": $\pm 1/32$ "
 24"+: $\pm 1/16$ "
 DECIMAL: X.X: ± 0.1000 " X.XX: ± 0.0100 "
 X.XXX: ± 0.0050 " X.XXXX: ± 0.0001 "
 ANGLES: $\pm 0.5^\circ$ FINISH: 125 MICRO INCHES
 BREAK ALL SHARP EDGES & CORNERS 1/64" MAX

MATERIAL: STEEL



DRAWN: vernon 3/29/2004
 CHECKED:
 DESIGNED: vernon
 ENGINEER: vernon

Cassegrain ADC
 TITLE: PIVOT MOUNT

QTY: 2

PROJECT CODE: A5001
 DWG NO: A5043
 REV: A

4

3

2

1