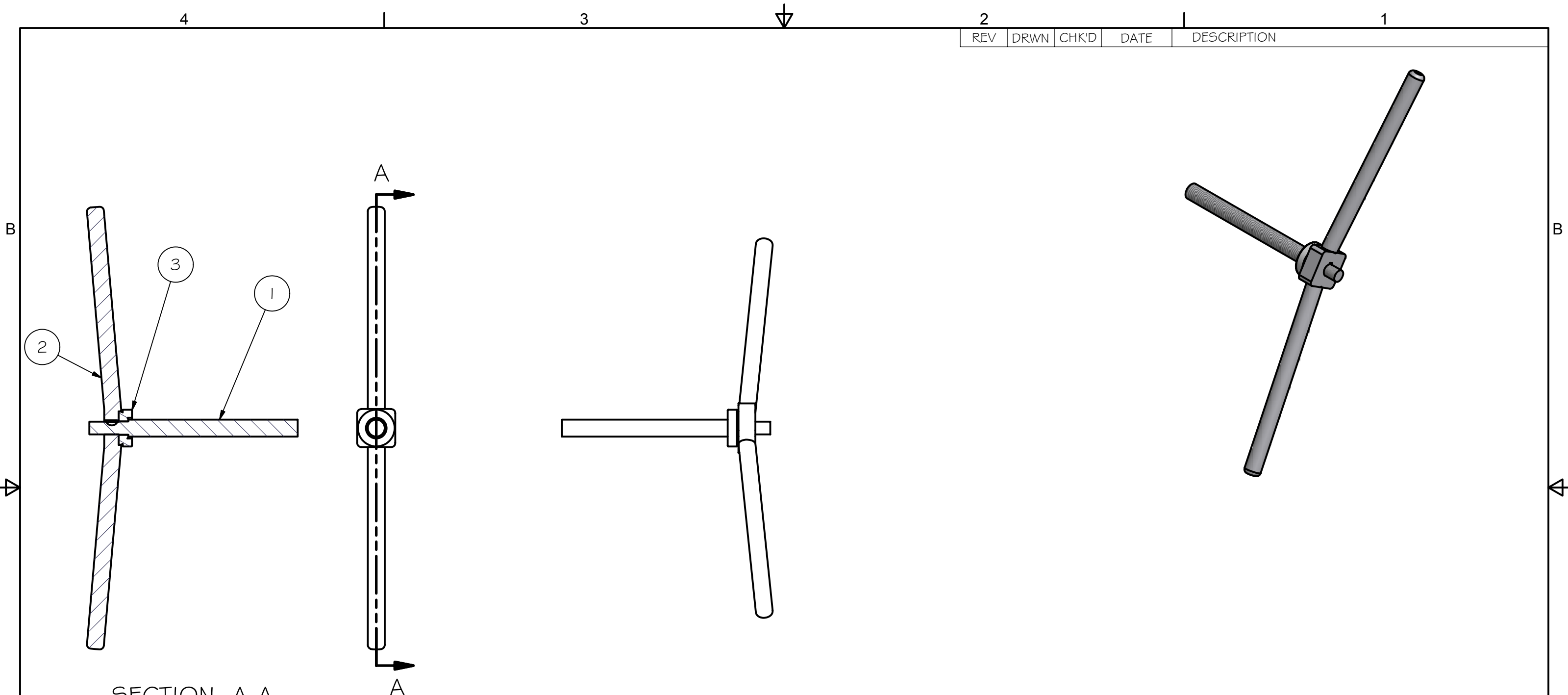


2	1	1	1	1
REV	DRWN	CHK'D	DATE	DESCRIPTION

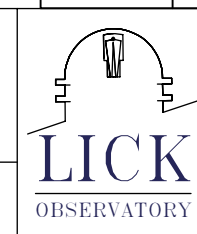


SECTION A-A  
SCALE 0.18 : 1

- ASSEMBLY WITH:
- 1) 3/16 X 3/4 WOODRUFF KEY
  - 2) 3/4-16 UNF LOCK NUT

Parts List			
ITEM	QTY	PART NUMBER	DESCRIPTION
1	1	A5031	ACME SCREW
2	1	A5032	ACME HANDLE
3	1	SKF GX 20 F	SPHERICAL THRUST BEARING

TOLERANCES UNLESS OTHERWISE NOTED:  
 FRACTIONAL: 0"-6": ±1/64" 6"-24": ±1/32"  
 24"+: ±1/16"  
 DECIMAL: X.X: ±0.1000" X.XX: ±0.0100"  
 X.XXX: ±0.0050" X.XXXX: ±0.0001"  
 ANGLES: ±0.5° FINISH: 125 MICRO INCHES  
 BREAK ALL SHARP EDGES & CORNERS 1/64" MAX



DRAWN	vernon	3/29/2004
CHECKED		
DESIGNED	vernon	
ENGINEER	vernon	
QTY: 1		

PROJECT CODE		DWG NO	REV
NEXT ASSY		A5030	A
A5001		A5030	1

Cassegrain ADC

ACME SCREW ASSEMBLY