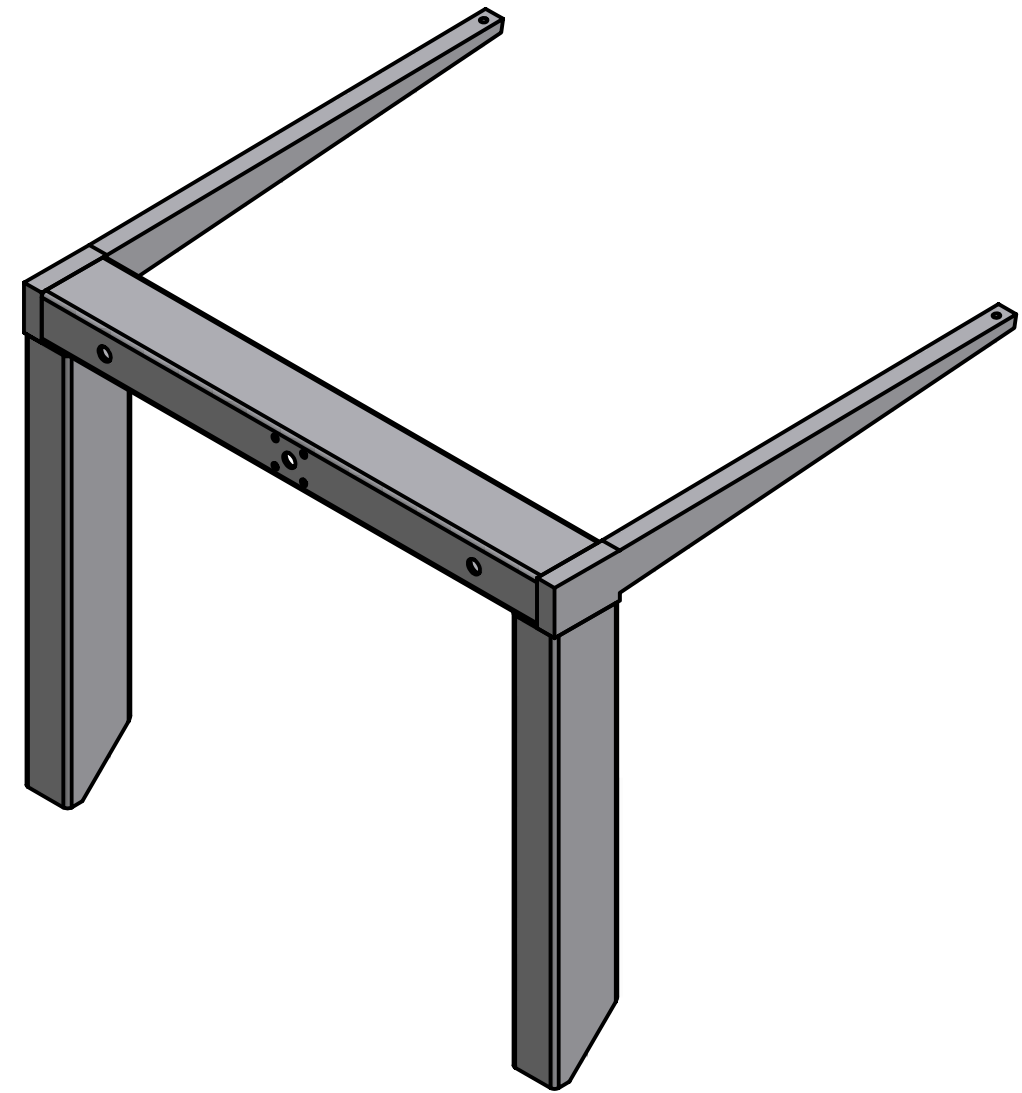
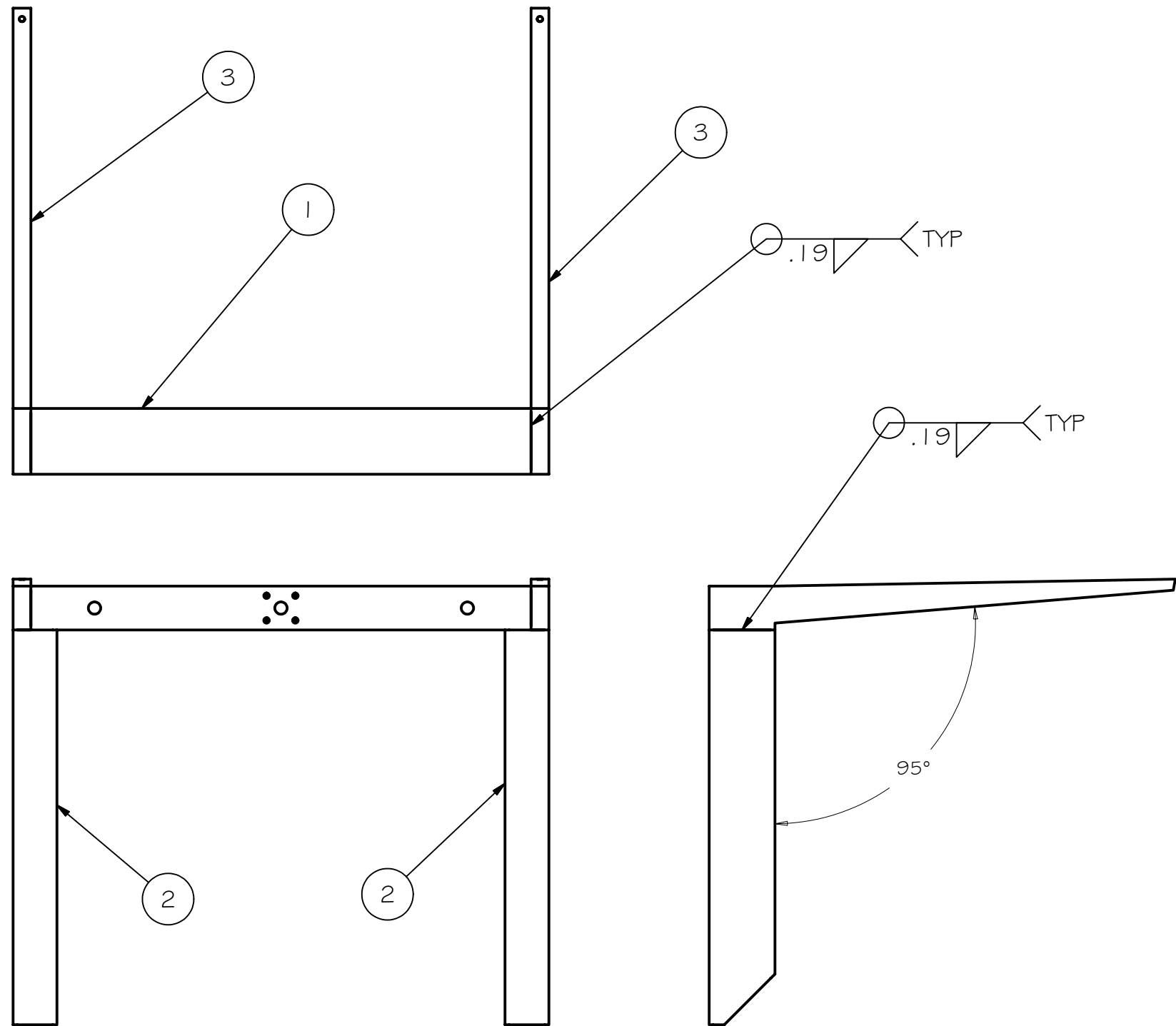


REV	DRWN	CHK'D	DATE	DESCRIPTION
-----	------	-------	------	-------------



SCALE 0.08 : 1

Parts List			
ITEM	QTY	PART NUMBER	DESCRIPTION
1	1	A5021	BEAM, CROSS
2	2	A5022	BEAM, UPRIGHT
3	2	A5023	FORK

TOLERANCES UNLESS OTHERWISE NOTED:
 FRACTIONAL: 0"-6": ±1/64" 6"-24": ±1/32"
 24"+: ±1/16"
 DECIMAL: X.X: ±0.1000" X.XX: ±0.0100"
 X.XXX: ±0.0050" X.XXXX: ±0.0001"
 ANGLES: ±0.5° FINISH: 125 MICRO INCHES
 BREAK ALL SHARP EDGES & CORNERS 1/64" MAX



DRAWN: vernon 3/29/2004
 CHECKED: _____
 DESIGNED: vernon
 ENGINEER: vernon
 QTY: 1

Cassegrain ADC
 TITLE: PIVOT WELDMENT
 PROJECT CODE: A5001
 DWG NO: A5020
 REV: A