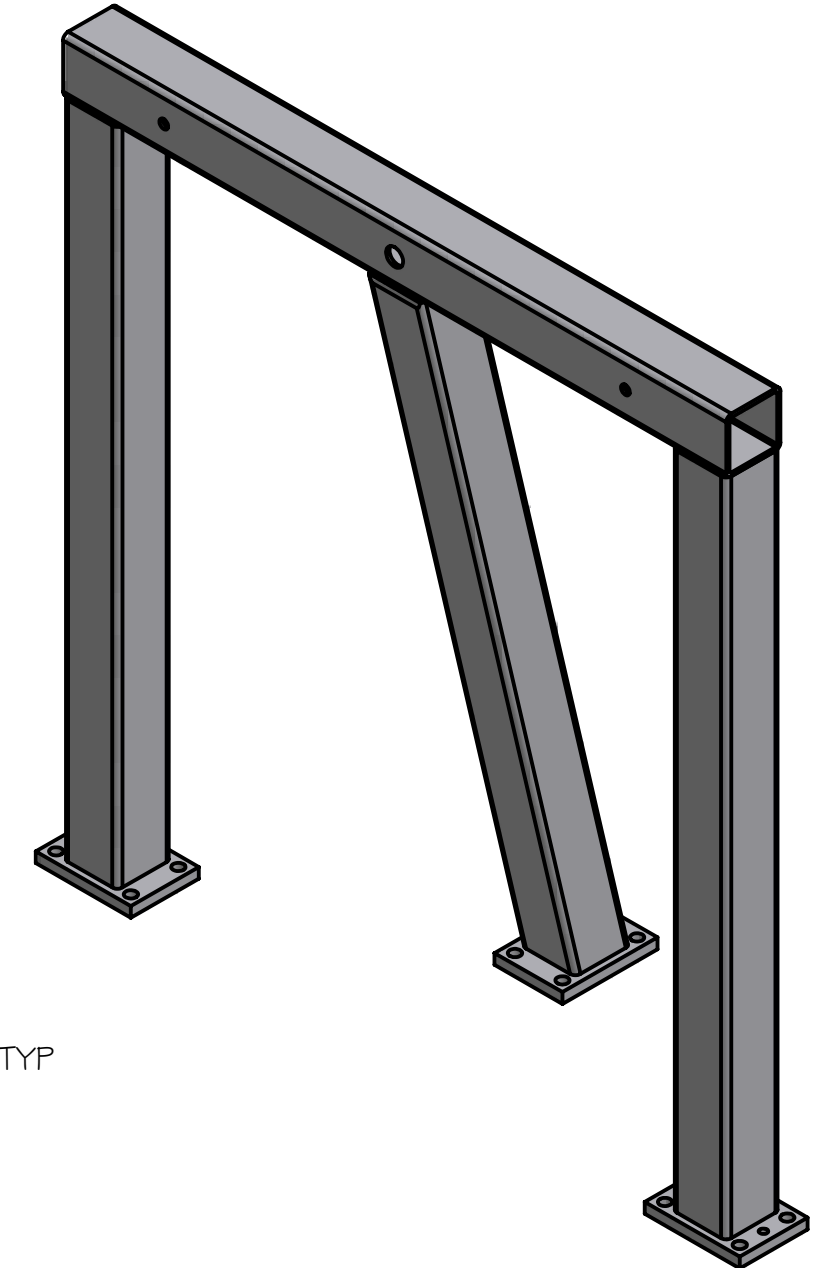
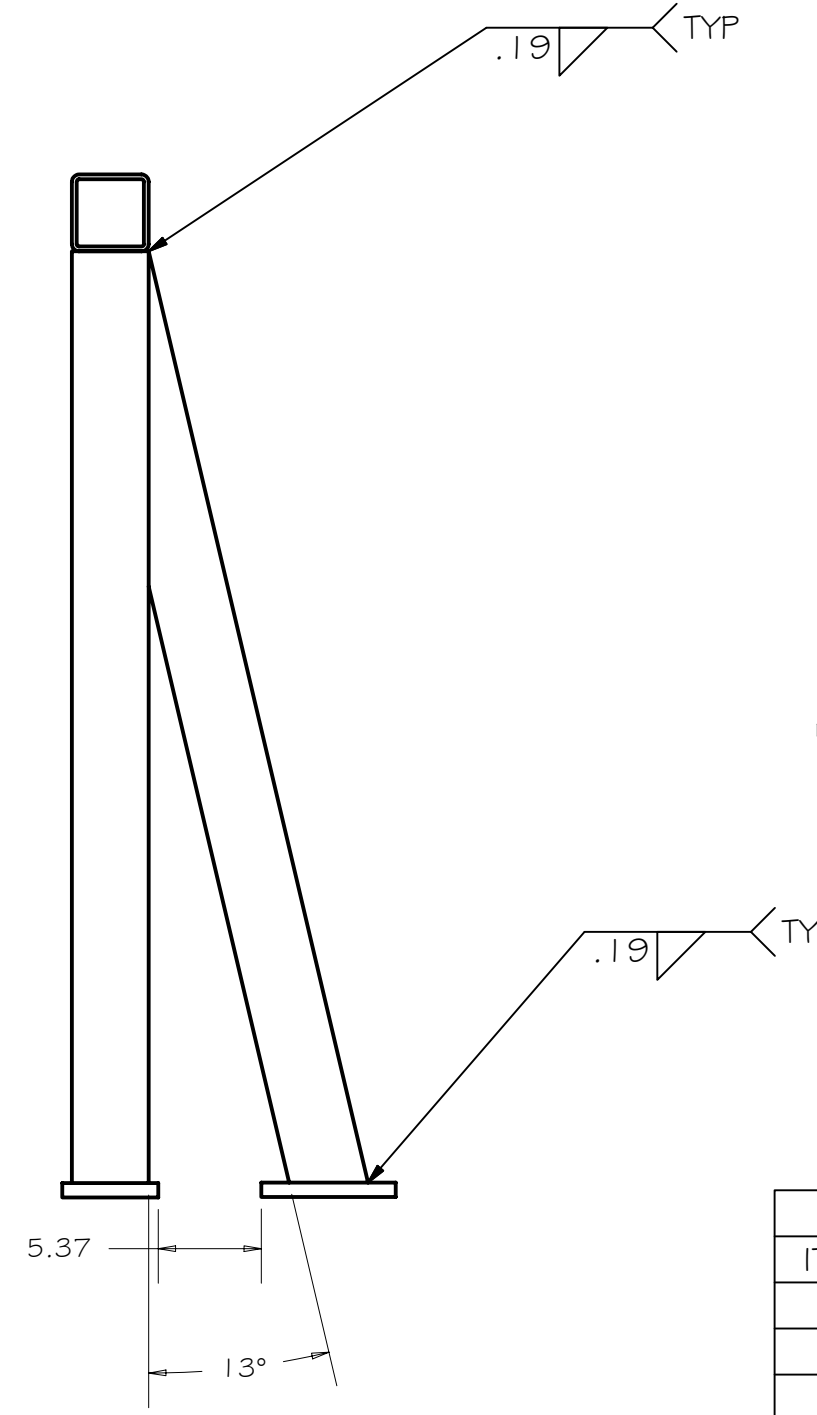
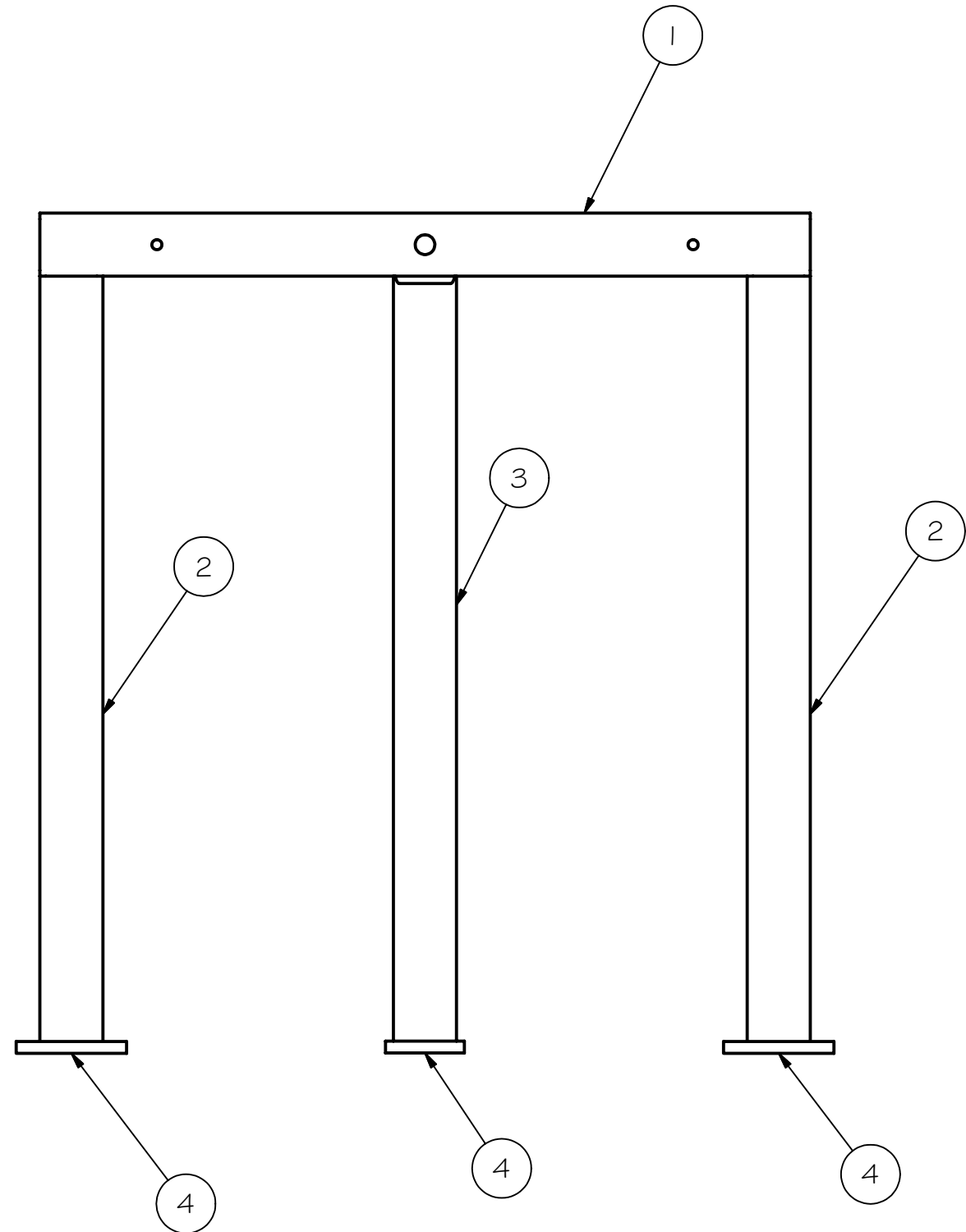
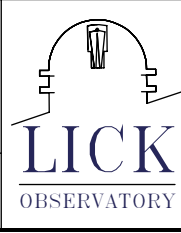


REV	DRWN	CHK'D	DATE	DESCRIPTION



Parts List			
ITEM	QTY	PART NUMBER	DESCRIPTION
1	1	A5011	BEAM, CROSS
2	2	A5012	BEAM, UPRIGHT
3	1	A5013	BEAM, DIAGONAL
4	3	A5014	FLANGE

TOLERANCES UNLESS OTHERWISE NOTED:  
 FRACTIONAL: 0"-6": ±1/64" 6"-24": ±1/32"  
 24"+: ±1/16"  
 DECIMAL: X.X: ±0.1000" X.XX: ±0.0100"  
 X.XXX: ±0.0050" X.XXXX: ±0.0001"  
 ANGLES: ±0.5° FINISH: 125 MICRO INCHES  
 BREAK ALL SHARP EDGES & CORNERS 1/64" MAX



DRAWN: vernon 3/29/2004  
 CHECKED:   
 DESIGNED: vernon  
 ENGINEER: vernon  
 QTY: 1

Cassegrain ADC  
 TITLE: BASE WELDMENT  
 PROJECT CODE: A5001  
 DWG NO: A5010  
 REV: A