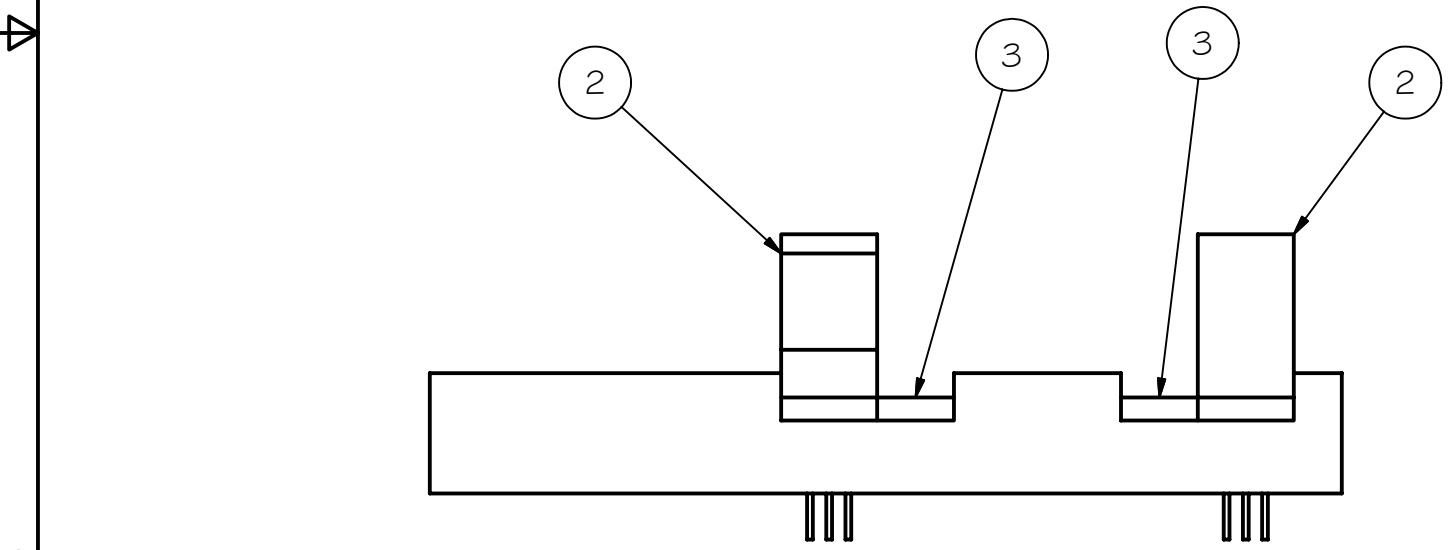
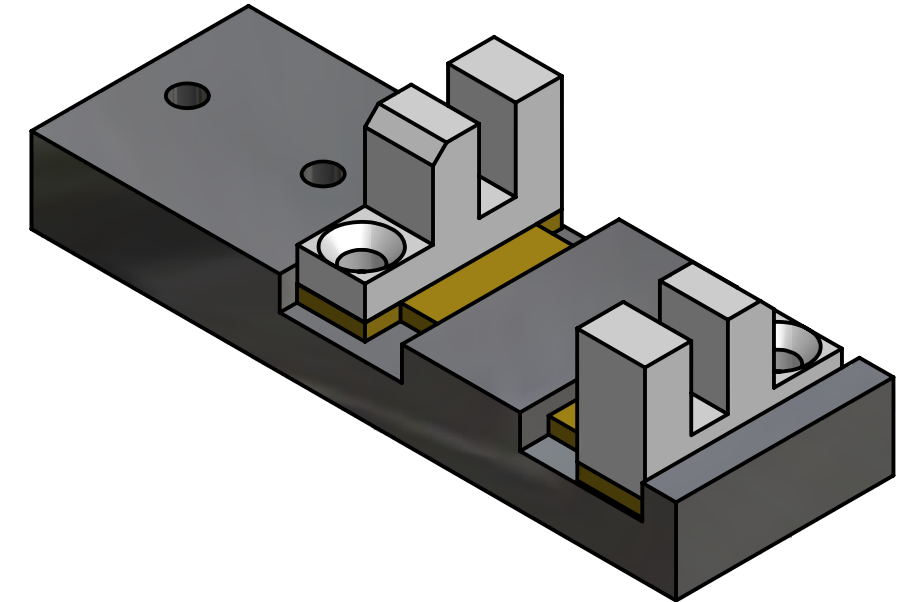
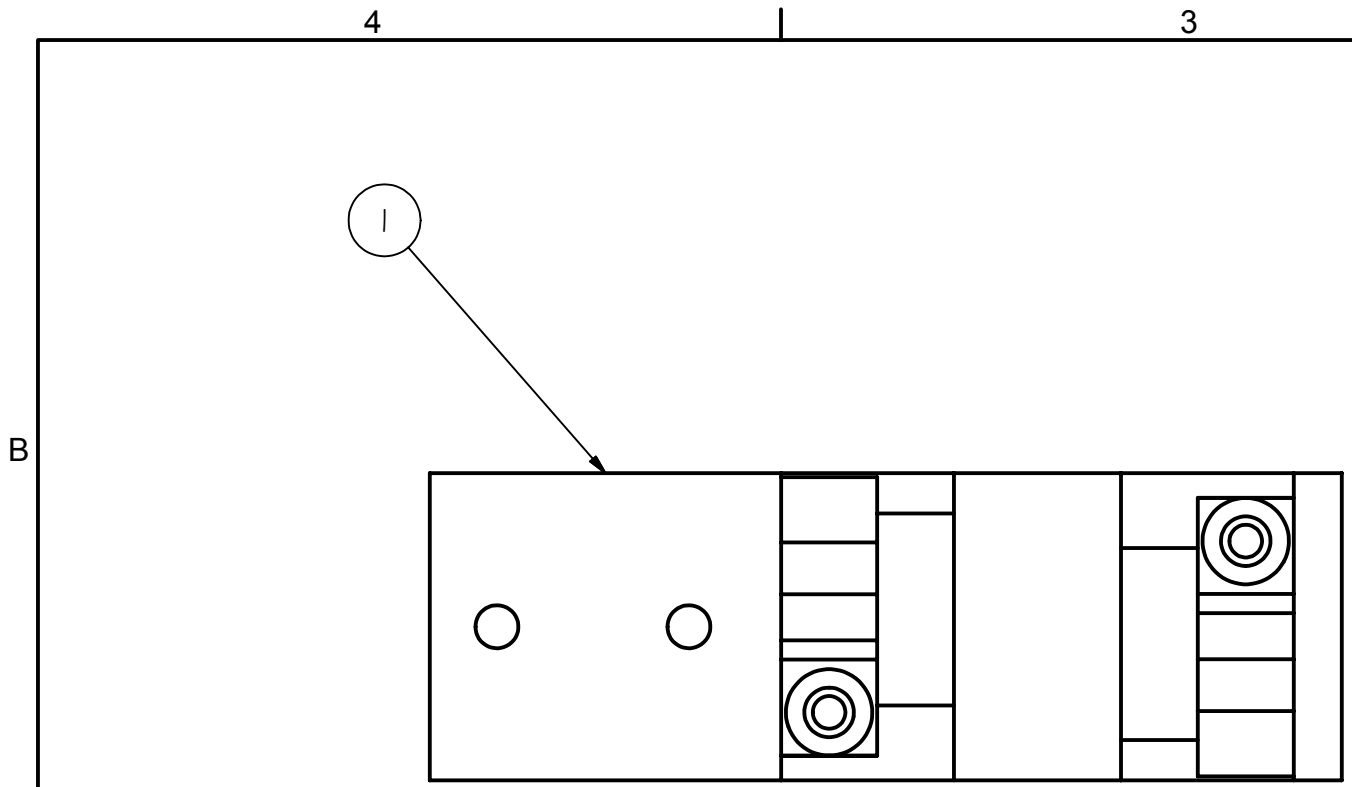


2	1
REV	DESCRIPTION



Parts List			
ITEM	QTY	PART NUMBER	DESCRIPTION
1	1	A3012	2 FIDUCAL MOUNT
2	2	A3010	CHERRY VN1015 MODIFIED
3	2	A3011	FIDUCAL PC BOARD

TOLERANCES UNLESS OTHERWISE NOTED:
 FRACTIONAL: 0"-6": ±1/64" 6"-24": ±1/32"
 24"+: ±1/16"
 DECIMAL: X.X: ±0.1000" X.XX: ±0.0100"
 X.XXX: ±0.0050" X.XXXX: ±0.0001"
 ANGLES: ±0.5° FINISH: 125 MICRO INCHES
 BREAK ALL SHARP EDGES & CORNERS 1/64" MAX



DRAWN	vernon	3/25/2004
CHECKED		
DESIGNED	vernon	
ENGINEER	vernon	
QTY: 1		

Cassegrain ADC	
TITLE FIDUCAL ASSEMBLY, DOUBLE	
PROJECT CODE A0001	DWG NO A3015
REV A	1/1