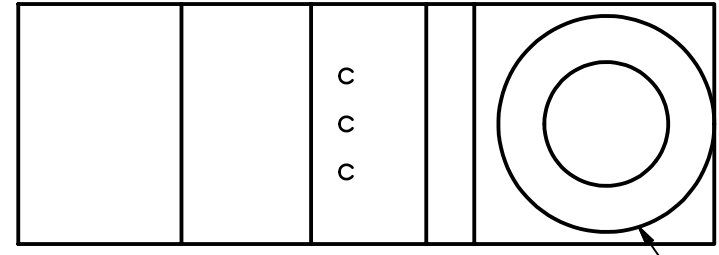
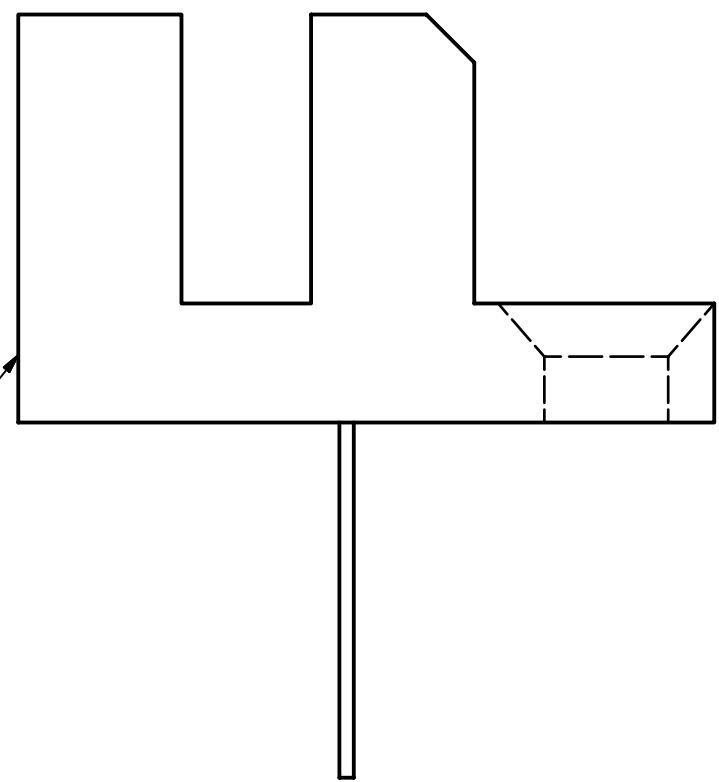
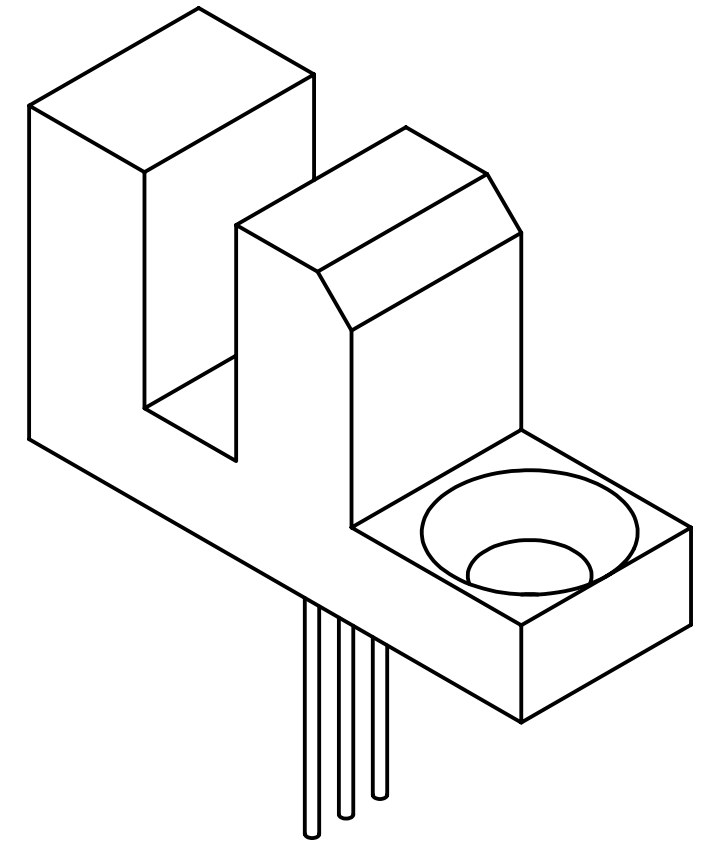


REV	DRWN	CHK'D	DATE	DESCRIPTION



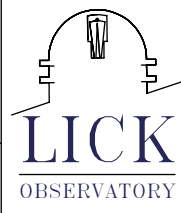
COUNTERSINK HOLE



REMOVE MOUNT TAB

CHERRY VN1015

TOLERANCES UNLESS OTHERWISE NOTED:  
 FRACTIONAL: 0"-6": ±1/64" 6"-24": ±1/32"  
 24"+: ±1/16"  
 DECIMAL: X.X: ±0.1000" X.XX: ±0.0100"  
 X.XXX: ±0.0050" X.XXXX: ±0.0001"  
 ANGLES: ±0.5° FINISH: 125 MICRO INCHES  
 BREAK ALL SHARP EDGES & CORNERS 1/64" MAX



DRAWN	vernon	3/25/2004
CHECKED		
DESIGNED	vernon	
ENGINEER	vernon	

Cassegrain ADC	
TITLE CHERRY VN1015 MODIFIED	

MATERIAL	FINISH

PROJECT CODE	DWG NO	REV
A3015, A3016, A3017	A3010	A