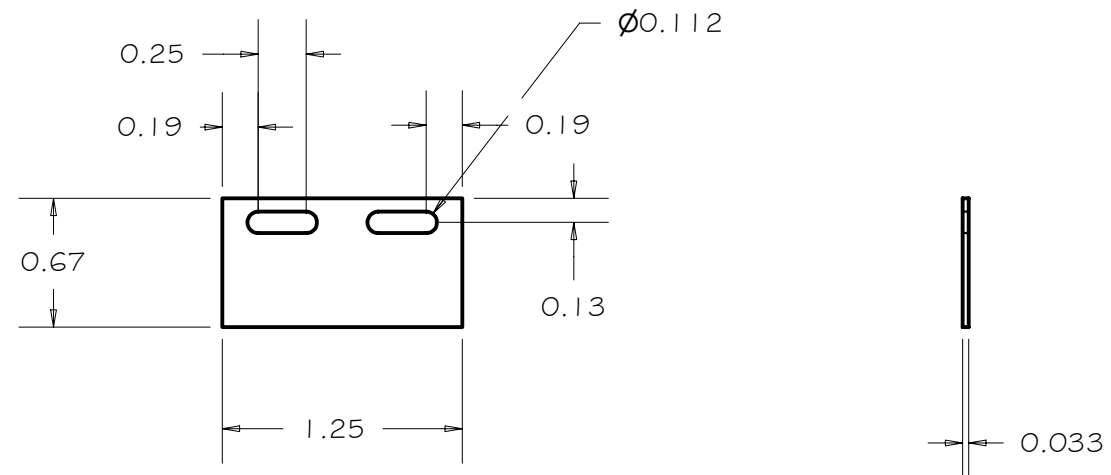


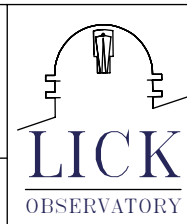
REV	DRWN	CHK'D	DATE	DESCRIPTION



SCALE 1 : 1

TOLERANCES UNLESS OTHERWISE NOTED:
 FRACTIONAL: 0"-6": $\pm 1/64"$ 6"-24": $\pm 1/32"$
 24"+: $\pm 1/16"$
 DECIMAL: X.X: $\pm 0.1000"$ X.XX: $\pm 0.0100"$
 X.XXX: $\pm 0.0050"$ X.XXXX: $\pm 0.0001"$
 ANGLES: $\pm 0.5^\circ$ FINISH: 125 MICRO INCHES
 BREAK ALL SHARP EDGES & CORNERS 1/64" MAX

MATERIAL	FINISH
STEEL	



DRAWN	vernon	3/25/2004
CHECKED		
DESIGNED	vernon	
ENGINEER	vernon	

QTY: 2

Cassegrain ADC

TITLE
FIDUCAL TAB, SHORT

PROJECT CODE	DWG NO	REV
A2001, A2002	A2047	A

4

3

2

1

4

3

2

1

B

B

A

A