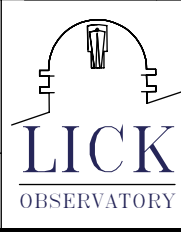


Parts List			
ITEM	QTY	PART NUMBER	DESCRIPTION
1	1	A2015	CYLINDER, OUTER
2	1	A2016	CYLINDER, OUTER
3	1	A2021	STIFFENER
4	2	A2022	SIDE BLOCK, FWD
5	1	A2023	LOWER CYLINDER, FWD
6	1	A2024	UPPER CYLINDER, FWD
7	1	A2025	FLANGE, FWD
8	1	A2026	FLANGE, DRIVE, FWD
9	1	A2027	FLANGE THIN, FWD
10	2	A2028	FLANGE, THIN, FWD

TOLERANCES UNLESS OTHERWISE NOTED:
 FRACTIONAL: 0"-6": ±1/64" 6"-24": ±1/32"
 24"+: ±1/16"
 DECIMAL: X.X: ±0.1000" X.XX: ±0.0100"
 X.XXX: ±0.0050" X.XXXX: ±0.0001"
 ANGLES: ±0.5° FINISH: 125 MICRO INCHES
 BREAK ALL SHARP EDGES & CORNERS 1/64" MAX

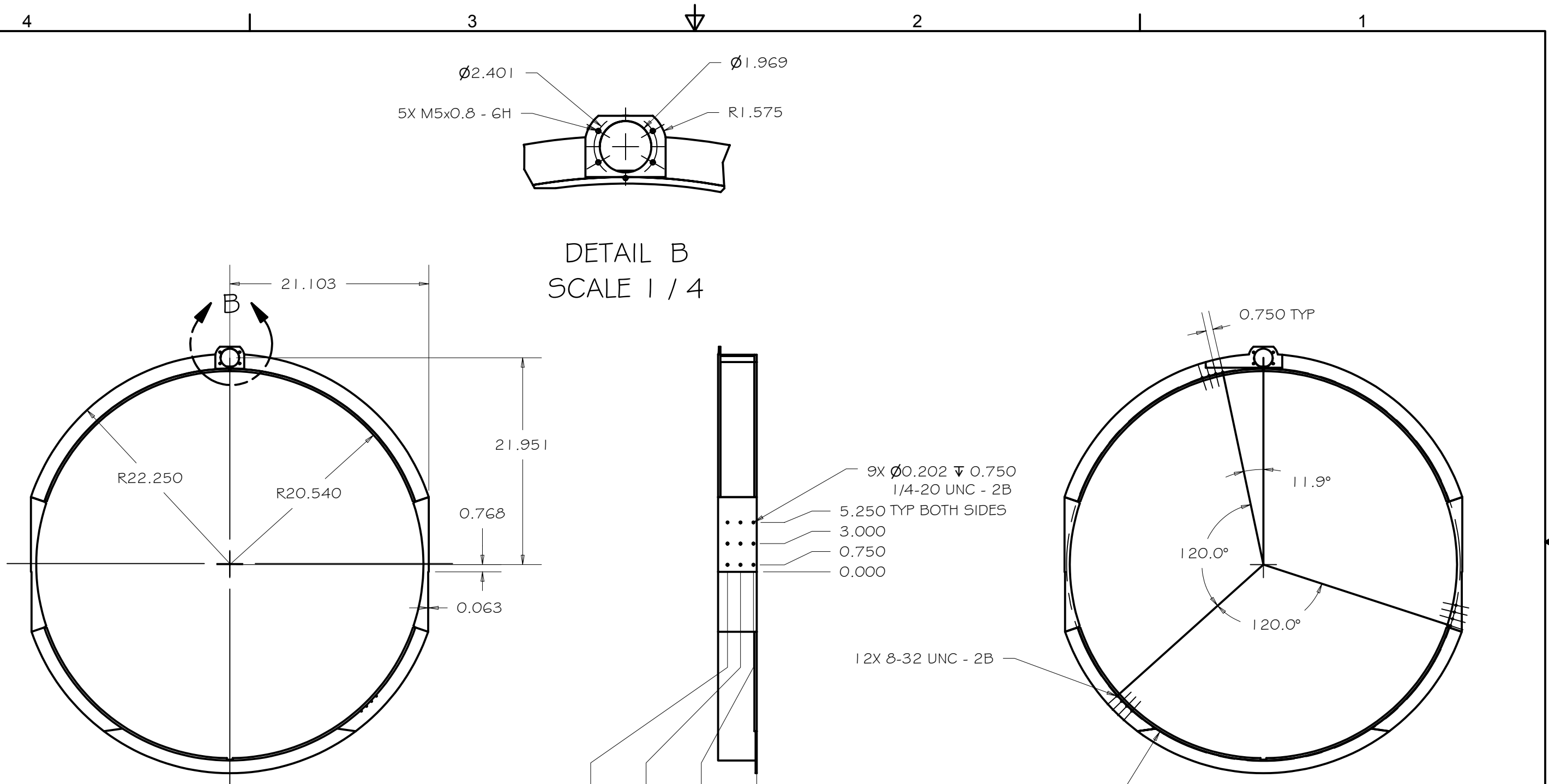


DRAWN: vernon 10/9/2003
 CHECKED: _____
 DESIGNED: vernon
 ENGINEER: _____

Cassegrain ADC
 TITLE: CELL WELDMENT, FORWARD
 PROJECT CODE: _____ DWG NO: A2020
 NEXT ASSY: A2001
 REV: A
 1/3

MATERIAL: _____ FINISH: _____

QTY: 1



VIEW A-A
SCALE 0.09 : 1

DETAIL B
SCALE 1 / 4

TOLERANCES UNLESS OTHERWISE NOTED:
 FRACTIONAL: 0"-6": ±1/64" 6"-24": ±1/32"
 24"+: ±1/16"
 DECIMAL: X.X: ±0.1000" X.XX: ±0.0100"
 X.XXX: ±0.0050" X.XXXX: ±0.0001"
 ANGLES: ±0.5° FINISH: 125 MICRO INCHES
 BREAK ALL SHARP EDGES & CORNERS 1/64" MAX

MATERIAL	FINISH

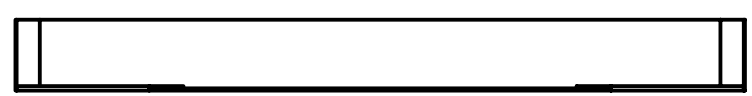
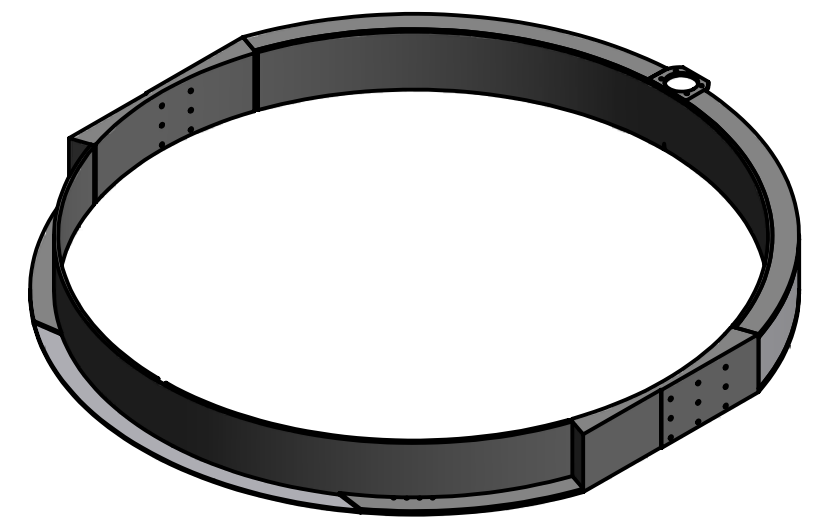
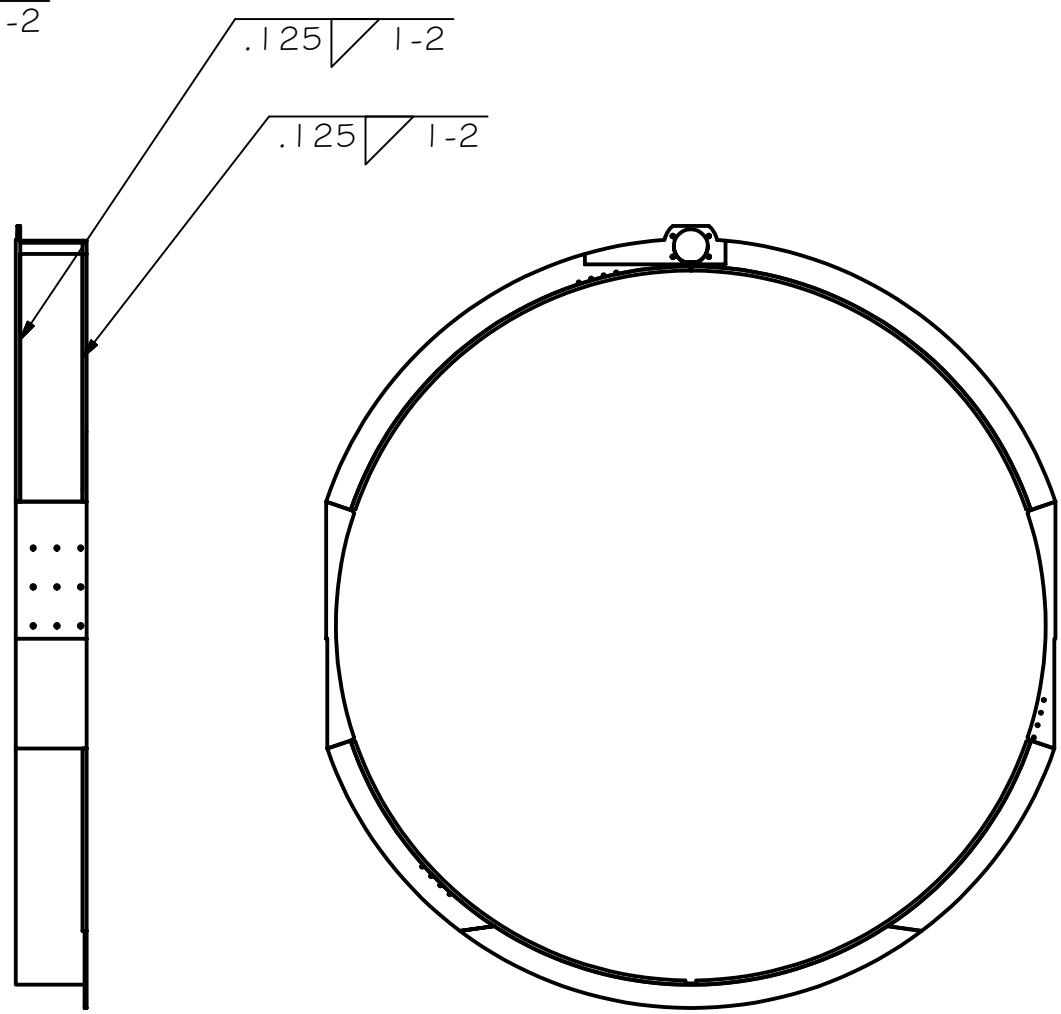
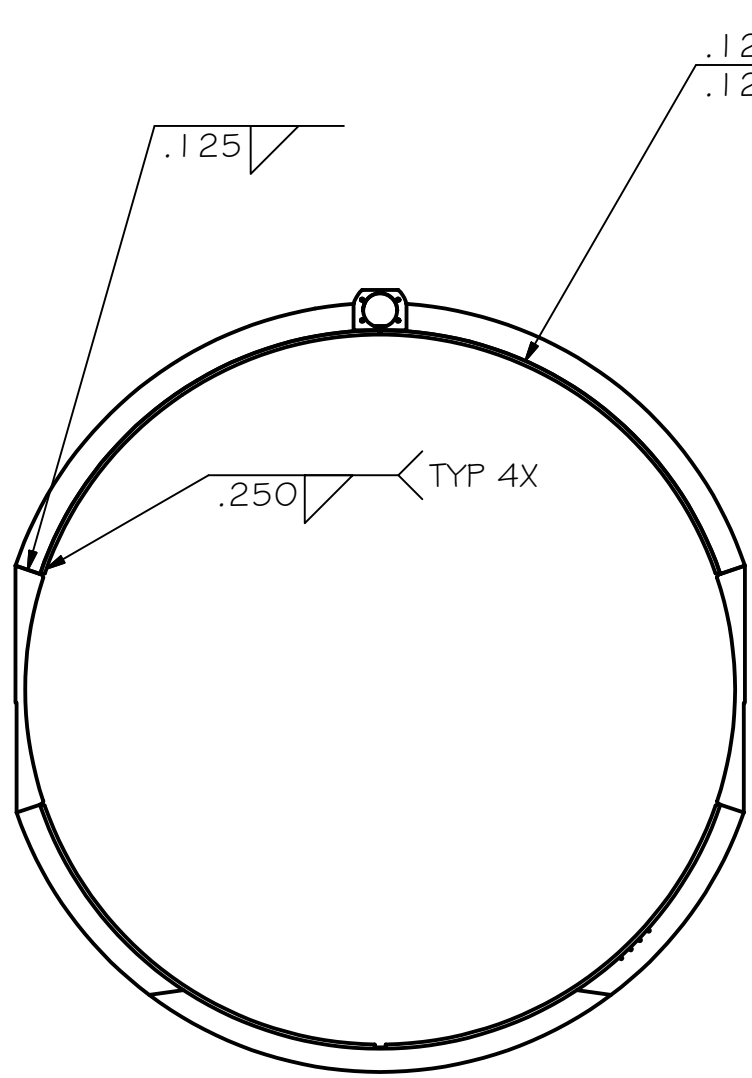


DRAWN	vernon	10/9/2003
CHECKED		
DESIGNED	vernon	
ENGINEER		

PROJECT CODE		DWG NO	REV
NEXT ASSY		A2020	A
A2001			2/3

Cassegrain ADC

CELL WELDMENT, FORWARD



VIEW C-C
SCALE 0.09 : 1

TOLERANCES UNLESS OTHERWISE NOTED:
 FRACTIONAL: 0"-6": ±1/64" 6"-24": ±1/32"
 24"+: ±1/16"
 DECIMAL: X.X: ±0.1000" X.XX: ±0.0100"
 X.XXX: ±0.0050" X.XXXX: ±0.0001"
 ANGLES: ±0.5° FINISH: 125 MICRO INCHES
 BREAK ALL SHARP EDGES & CORNERS 1/64" MAX

MATERIAL	FINISH



DRAWN	vernon	10/9/2003
CHECKED		
DESIGNED	vernon	
ENGINEER		

PROJECT CODE		DWG NO	REV
NEXT ASSY		A2020	A
A2001			3/3

Cassegrain ADC

CELL WELDMENT, FORWARD