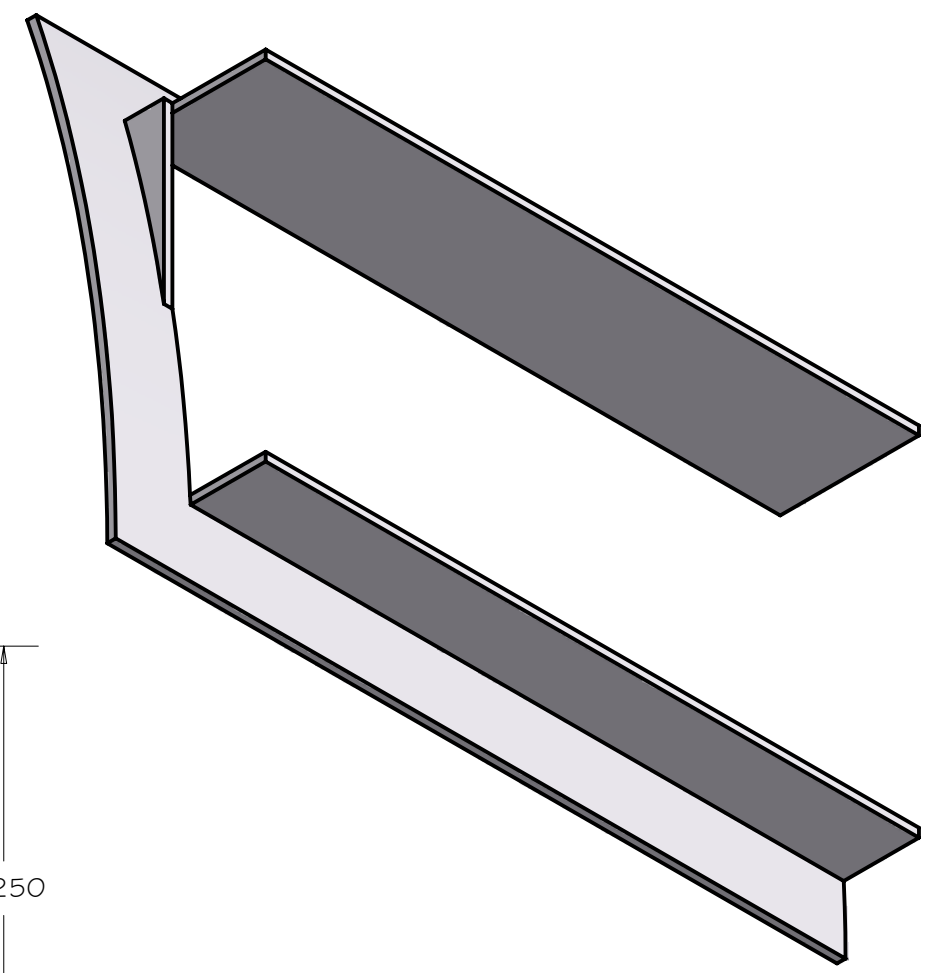
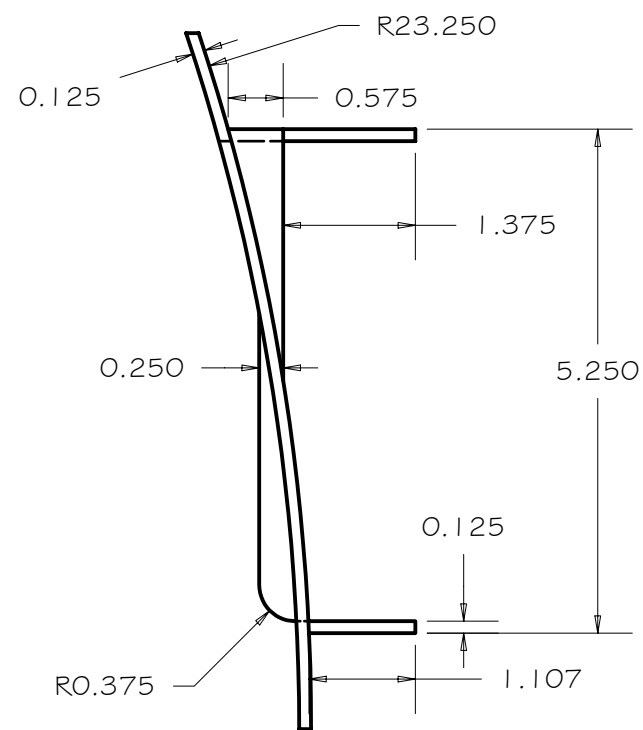
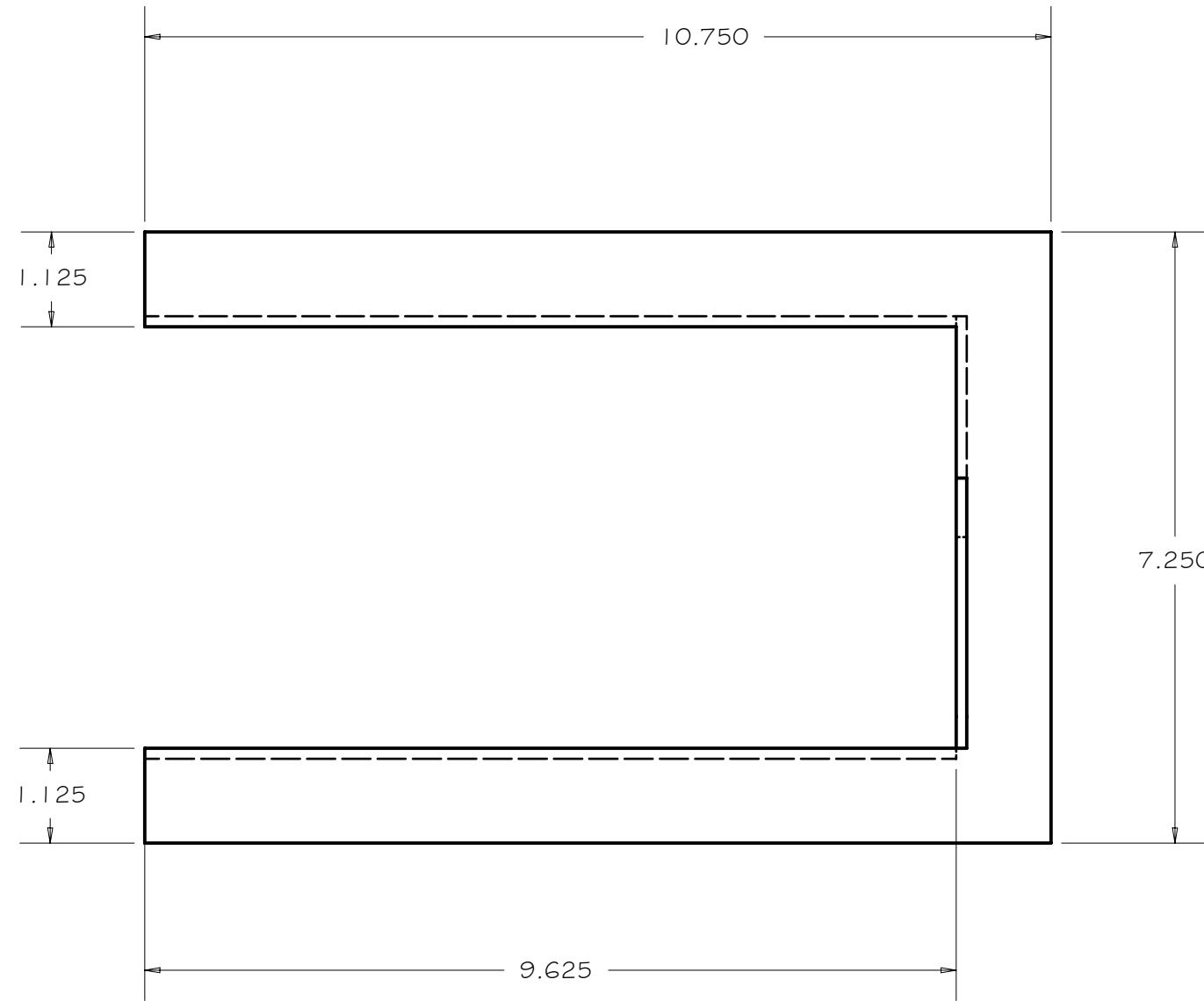


REV	DRWN	CHK'D	DATE	DESCRIPTION



SCALE 1 / 2

TOLERANCES UNLESS OTHERWISE NOTED:
 FRACTIONAL: 0"-6": ±1/64" 6"-24": ±1/32"
 24"+: ±1/16"
 DECIMAL: X.X: ±0.1000" X.XX: ±0.0100"
 X.XXX: ±0.0050" X.XXXX: ±0.0001"
 ANGLES: ±0.5° FINISH: 125 MICRO INCHES
 BREAK ALL SHARP EDGES & CORNERS 1/64" MAX

MATERIAL
6061 T6
ALUMINUM

FINISH



DRAWN vernon 3/23/2004
 CHECKED
 DESIGNED vernon
 ENGINEER vernon

QTY: 1

Cassegrain ADC

CLADDING FRAME, HARDPOINT

PROJECT CODE
NEXT ASSY N/A

DWG NO
A1536

REV
A
1/1