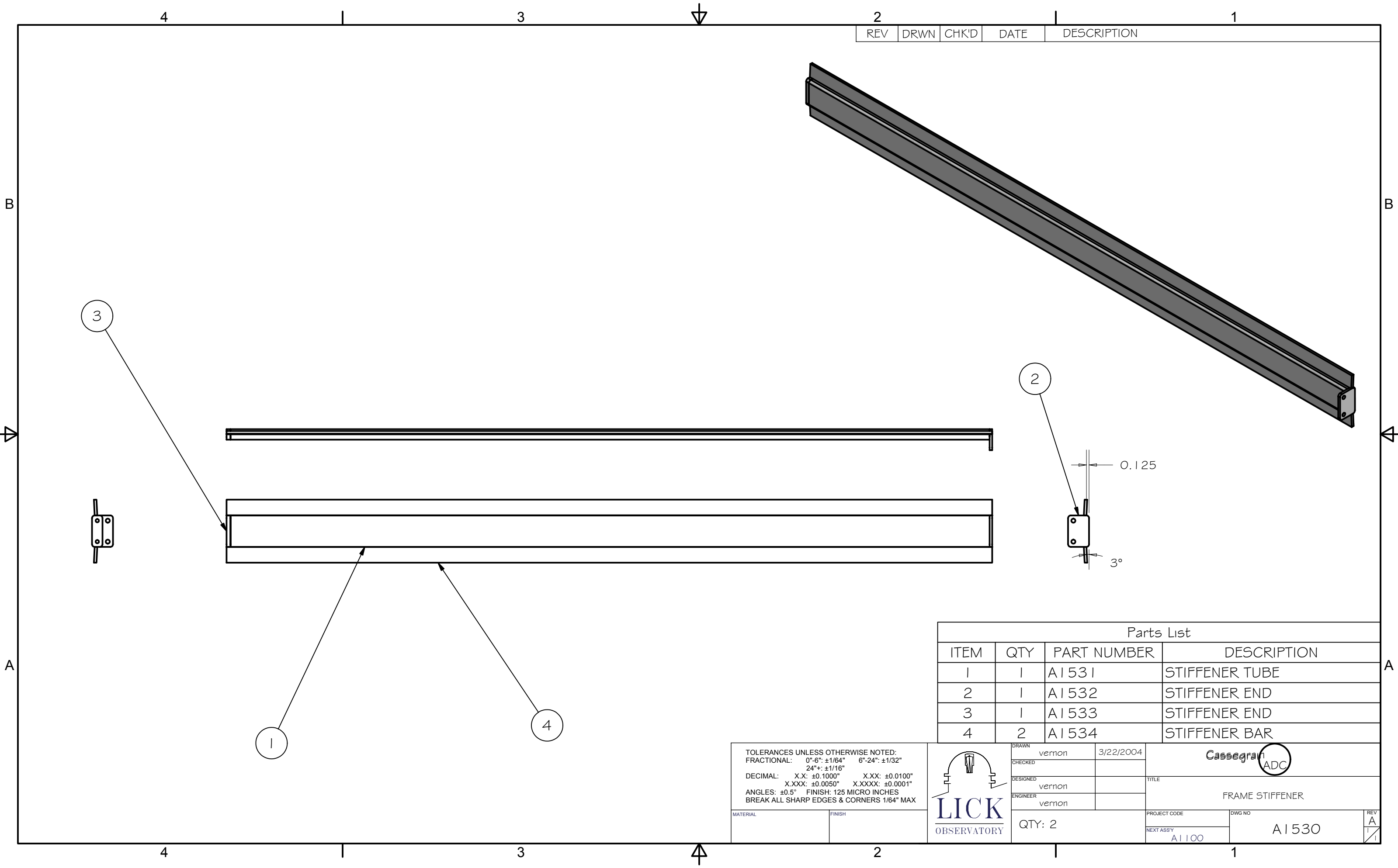


REV	DRWN	CHK'D	DATE	DESCRIPTION



Parts List			
ITEM	QTY	PART NUMBER	DESCRIPTION
1	1	A1531	STIFFENER TUBE
2	1	A1532	STIFFENER END
3	1	A1533	STIFFENER END
4	2	A1534	STIFFENER BAR

TOLERANCES UNLESS OTHERWISE NOTED:
 FRACTIONAL: 0"-6": ±1/64" 6"-24": ±1/32"
 24"+: ±1/16"
 DECIMAL: X.X: ±0.1000" X.XX: ±0.0100"
 X.XXX: ±0.0050" X.XXXX: ±0.0001"
 ANGLES: ±0.5° FINISH: 125 MICRO INCHES
 BREAK ALL SHARP EDGES & CORNERS 1/64" MAX



DRAWN: vernon 3/22/2004
 CHECKED: _____
 DESIGNED: vernon
 ENGINEER: vernon
 QTY: 2

Cassegrain ADC
 TITLE: FRAME STIFFENER
 PROJECT CODE: _____ DWG NO: A1530
 NEXT ASSY: A1100
 REV: A