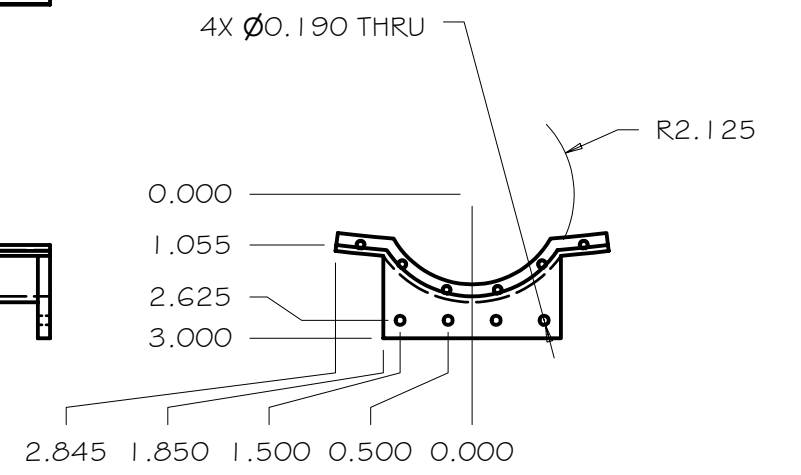
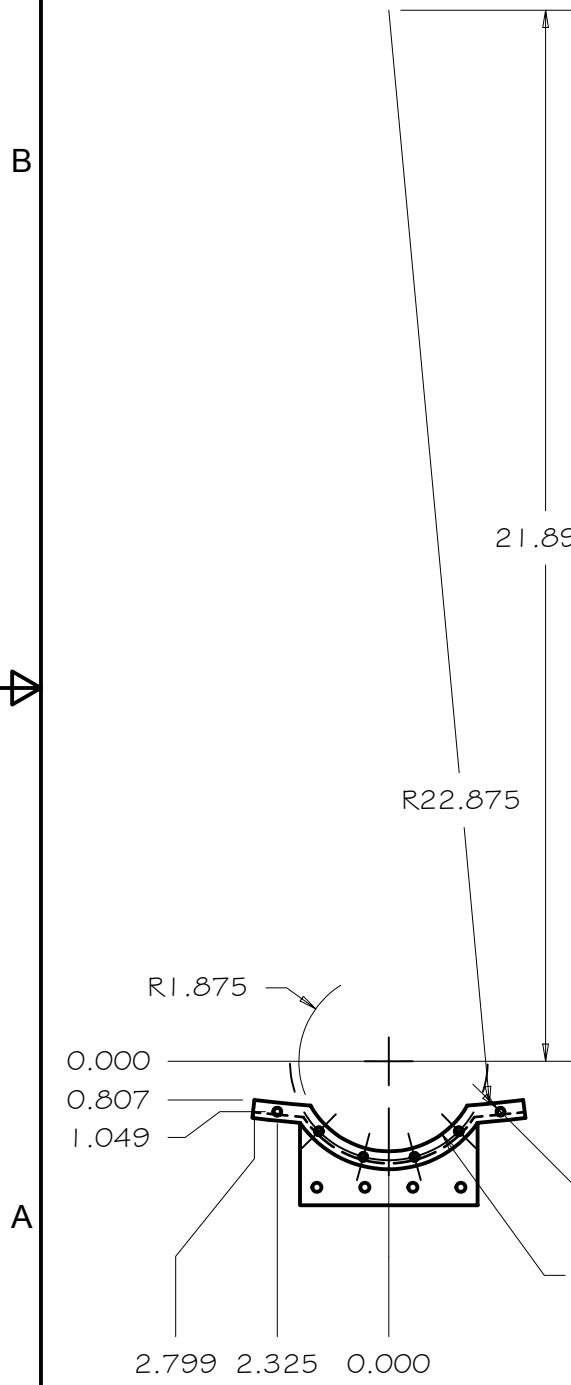
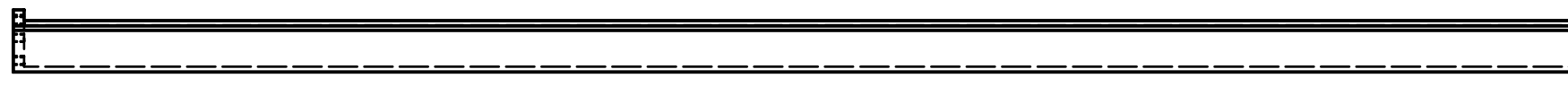
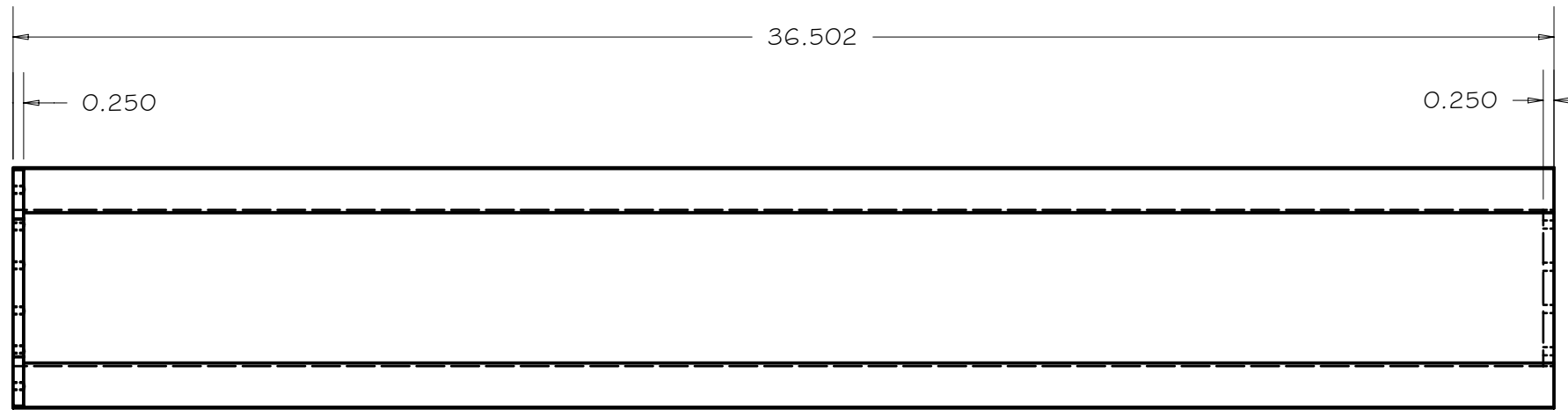
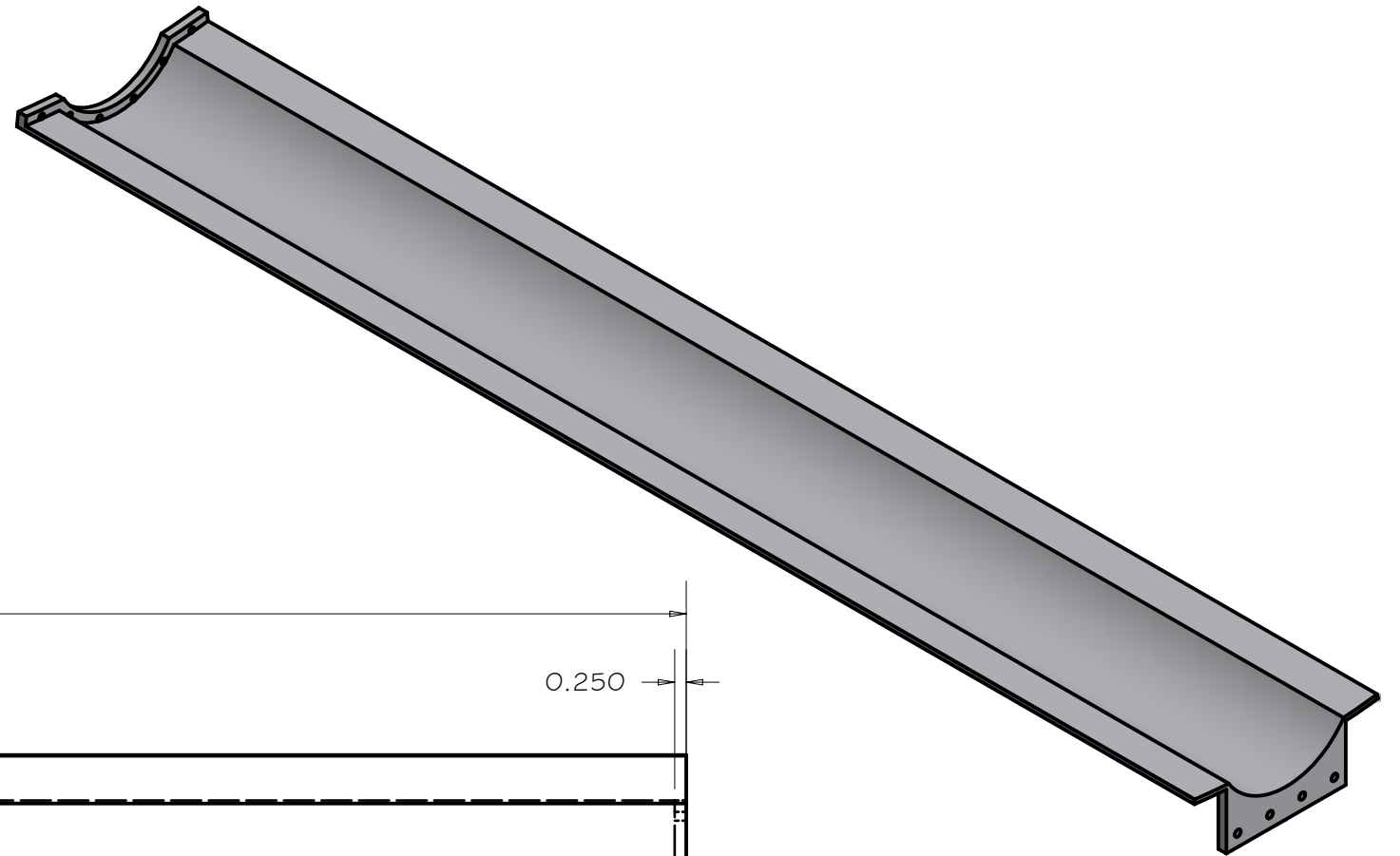


REV	DRWN	CHK'D	DATE	DESCRIPTION



SCALE 1 / 4

TOLERANCES UNLESS OTHERWISE NOTED:  
 FRACTIONAL: 0"-6": ±1/64" 6"-24": ±1/32"  
 24"+: ±1/16"  
 DECIMAL: X.X: ±0.1000" X.XX: ±0.0100"  
 X.XXX: ±0.0050" X.XXXX: ±0.0001"  
 ANGLES: ±0.5° FINISH: 125 MICRO INCHES  
 BREAK ALL SHARP EDGES & CORNERS 1/64" MAX

MATERIAL: STEEL  
 FINISH:  



DRAWN: vernon  
 CHECKED:    
 DESIGNED: vernon  
 ENGINEER: vernon

QTY: 1

3/22/2004  
 Cassegrain ADC

TITLE: BALL SCREW SHIELD, FWD

PROJECT CODE: A1100  
 DWG NO: A1528  
 REV: A