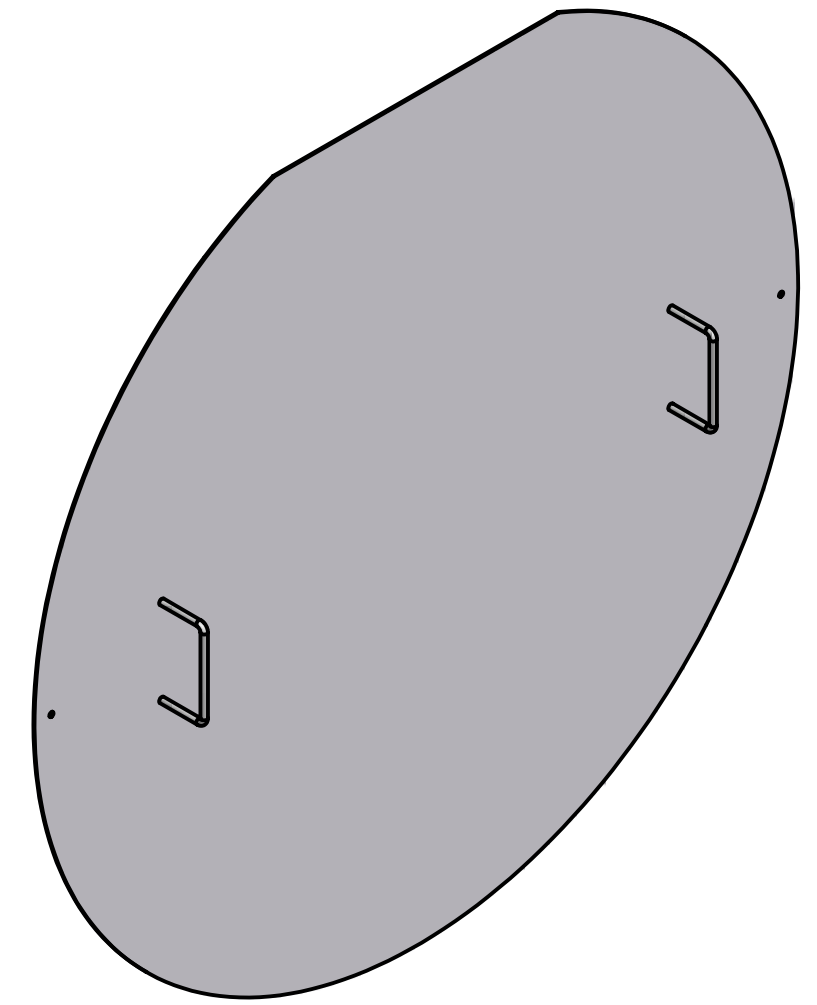
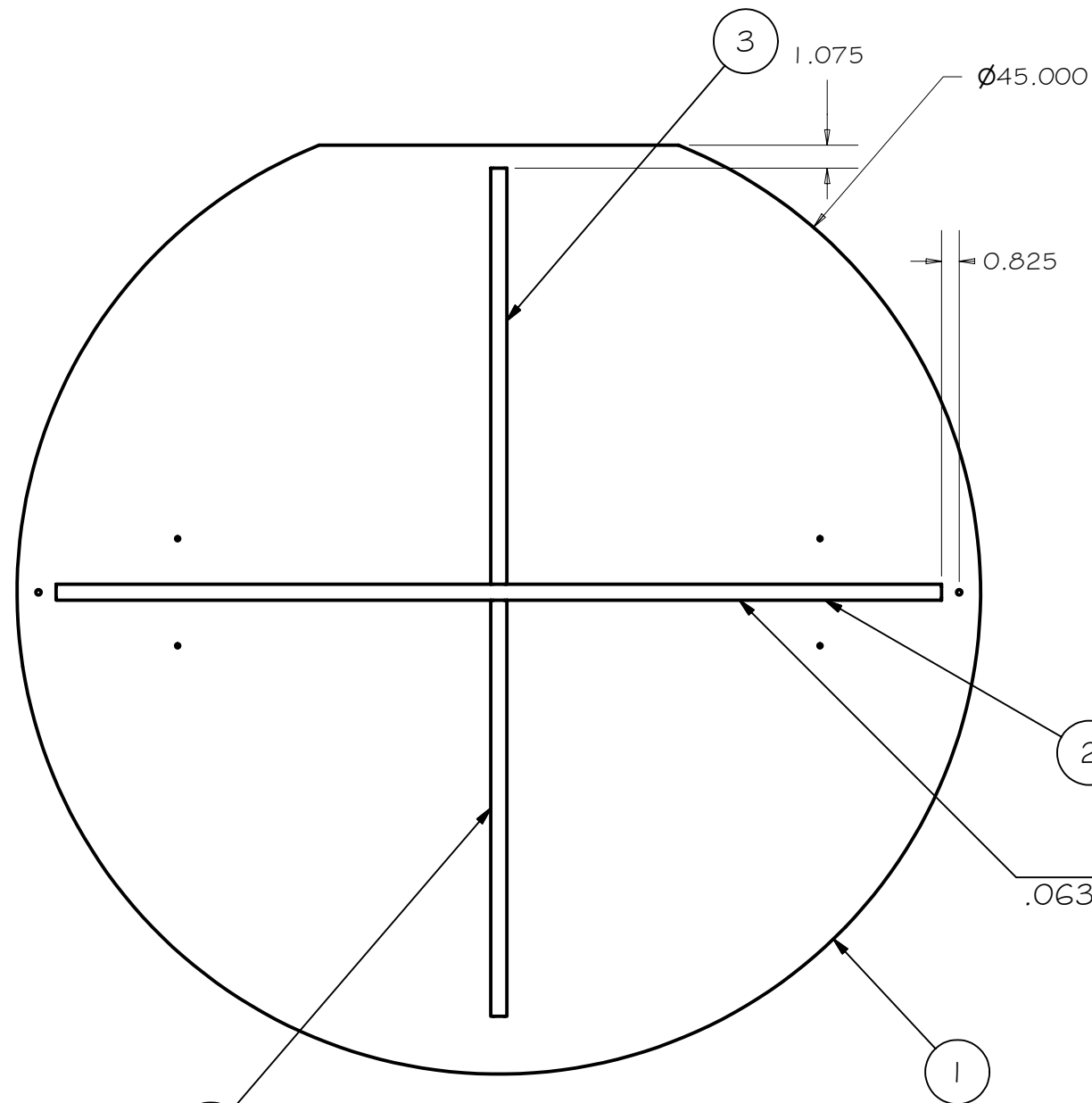


REV	DRWN	CHK'D	DATE	DESCRIPTION



SCALE 1 / 8

Parts List			
ITEM	QTY	PART NUMBER	DESCRIPTION
1	1	A1537	COVER, PLATE
2	1	A1538	COVER STIFFENER, LONG
3	2	A1539	COVER STIFFENER, SHORT
4	2	drawer_pull	

TOLERANCES UNLESS OTHERWISE NOTED:  
 FRACTIONAL: 0"-6": ±1/64" 6"-24": ±1/32"  
 24"+: ±1/16"  
 DECIMAL: X.X: ±0.1000" X.XX: ±0.0100"  
 X.XXX: ±0.0050" X.XXXX: ±0.0001"  
 ANGLES: ±0.5° FINISH: 125 MICRO INCHES  
 BREAK ALL SHARP EDGES & CORNERS 1/64" MAX

MATERIAL: 6061 T6 ALUMINUM



DRAWN: vernon 9/4/2003  
 CHECKED:   
 DESIGNED: vernon  
 ENGINEER: vernon

QTY: 2

Cassegrain ADC  
 TITLE: COVER  
 PROJECT CODE: A0001  
 DWG NO: A1510  
 REV: A