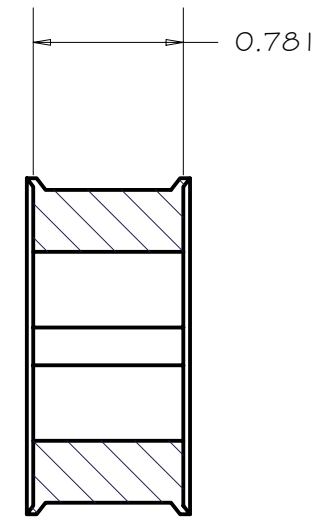
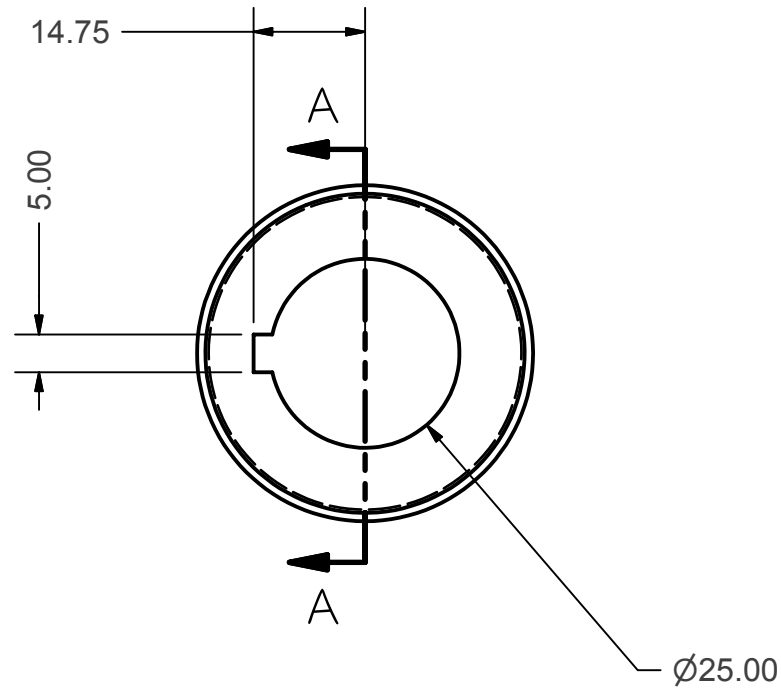
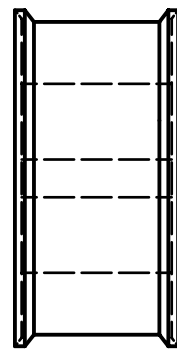


REV	DRWN	CHK'D	DATE	DESCRIPTION



SECTION A-A  
SCALE 1 : 1

PIC TIMING BELT PULLEY  
PTO24G08LI 5T

TOLERANCES UNLESS OTHERWISE NOTED:  
 FRACTIONAL: 0"-6": ±1/64" 6"-24": ±1/32"  
 24"+: ±1/16"  
 DECIMAL: X.X: ±0.1000" X.XX: ±0.0100"  
 X.XXX: ±0.0050" X.XXXX: ±0.0001"  
 ANGLES: ±0.5° FINISH: 125 MICRO INCHES  
 BREAK ALL SHARP EDGES & CORNERS 1/64" MAX

MATERIAL	FINISH



DRAWN	vernon	9/4/2003
CHECKED		
DESIGNED	vernon	
ENGINEER	vernon	

QTY: 1
--------

PROJECT CODE		DWG NO	REV
NEXT ASSY		A1313	A
A1300			1

Cassegrain ADC

PIC PULLEY, MOTOR