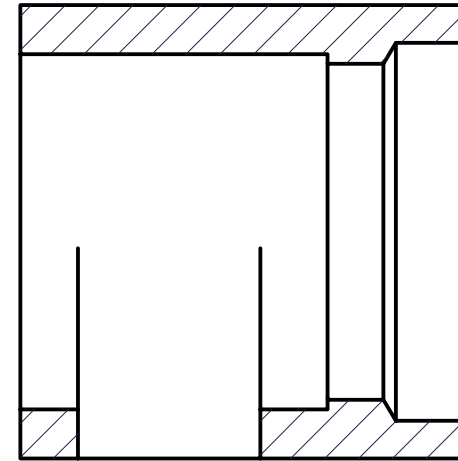
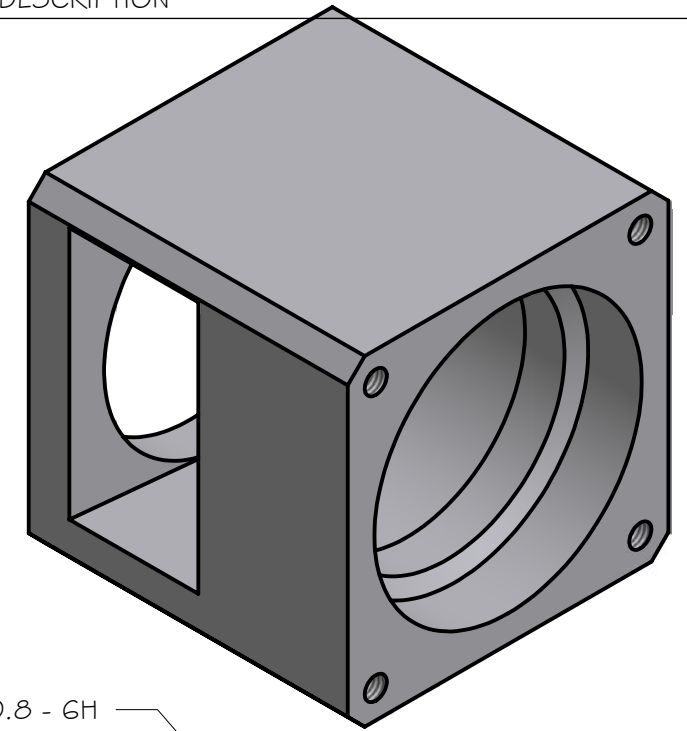
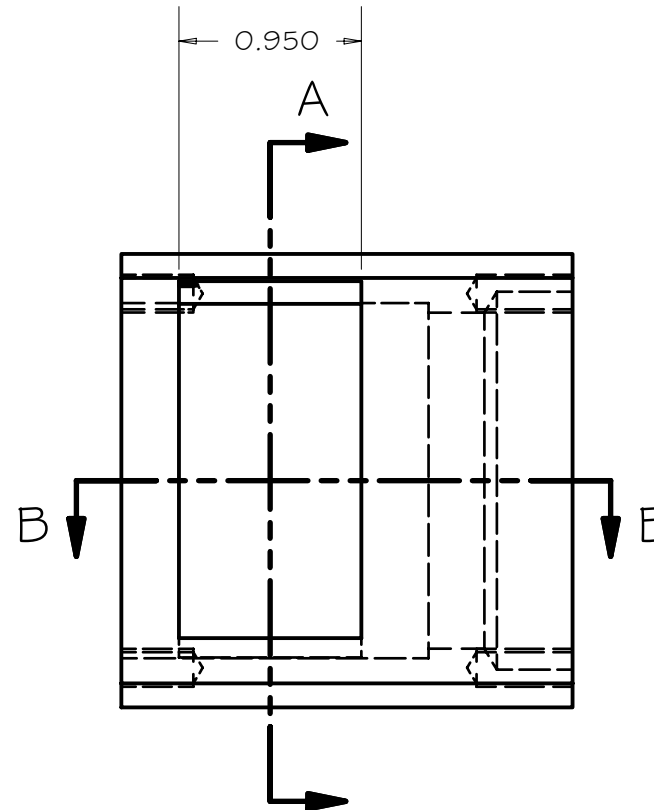


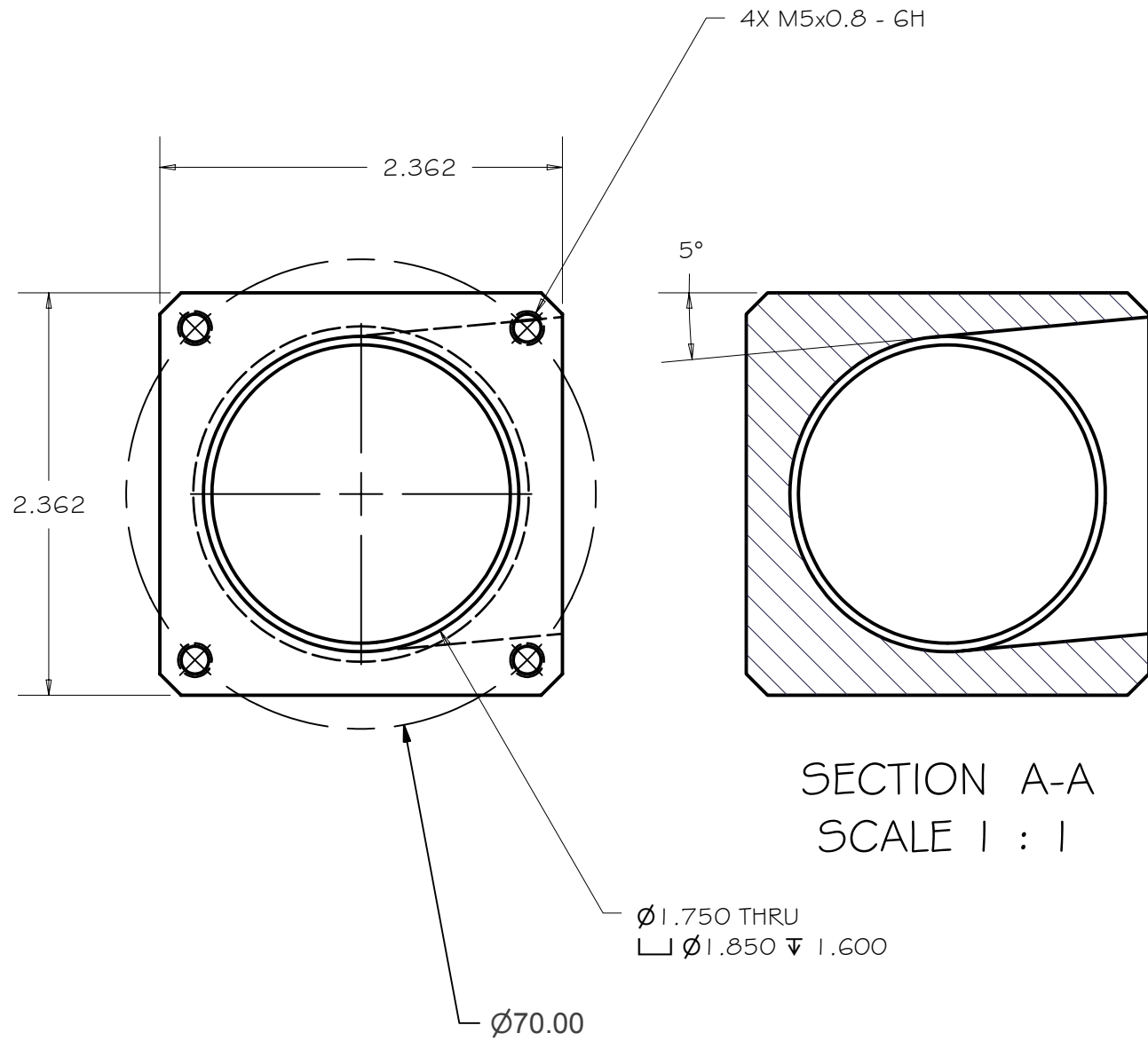
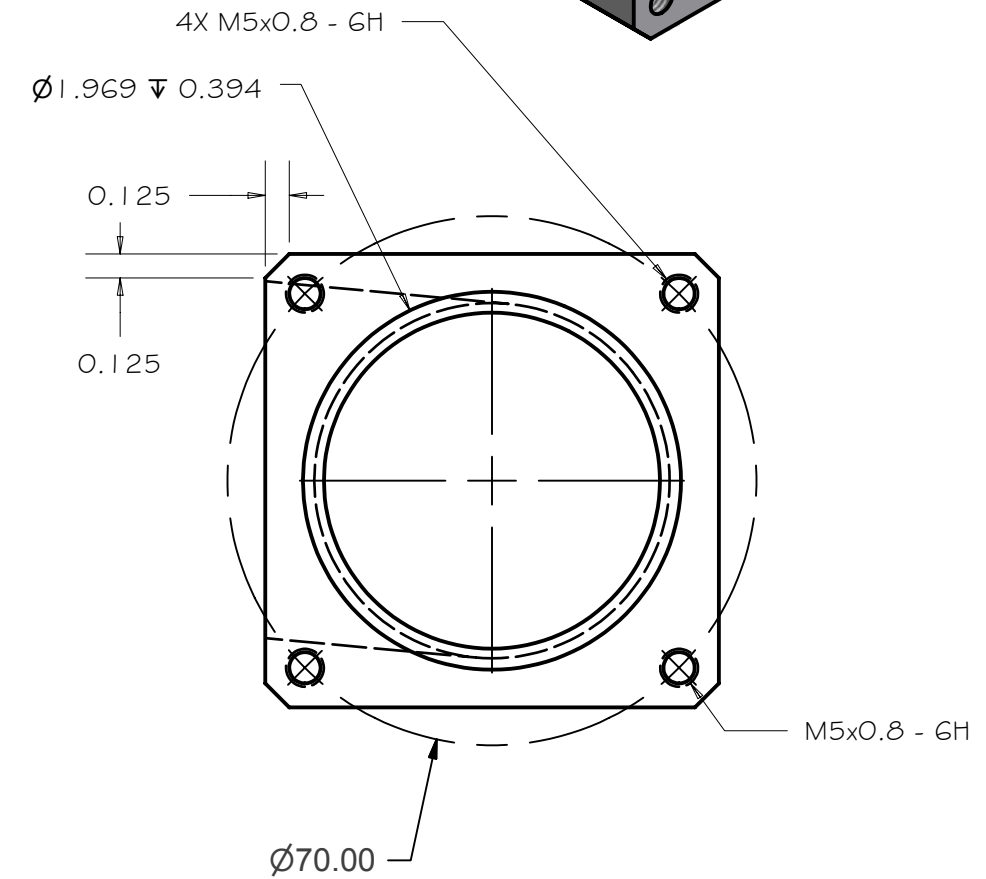
REV	DRWN	CHK'D	DATE	DESCRIPTION



SECTION B-B  
SCALE 1 : 1



SCALE 1 : 1



SECTION A-A  
SCALE 1 : 1

TOLERANCES UNLESS OTHERWISE NOTED:  
 FRACTIONAL: 0"-6": ±1/64" 6"-24": ±1/32"  
 24"+: ±1/16"  
 DECIMAL: X.X: ±0.1000" X.XX: ±0.0100"  
 X.XXX: ±0.0050" X.XXXX: ±0.0001"  
 ANGLES: ±0.5° FINISH: 125 MICRO INCHES  
 BREAK ALL SHARP EDGES & CORNERS 1/64" MAX

MATERIAL: STEEL  
 FINISH: 2



DRAWN: vernon  
 CHECKED:   
 DESIGNED: vernon  
 ENGINEER: vernon  
 QTY: 1

9/4/2003  
 Cassegrain ADC  
 TITLE: PULLEY HOUSING  
 PROJECT CODE: A1300  
 DWG NO: A1310  
 REV: A