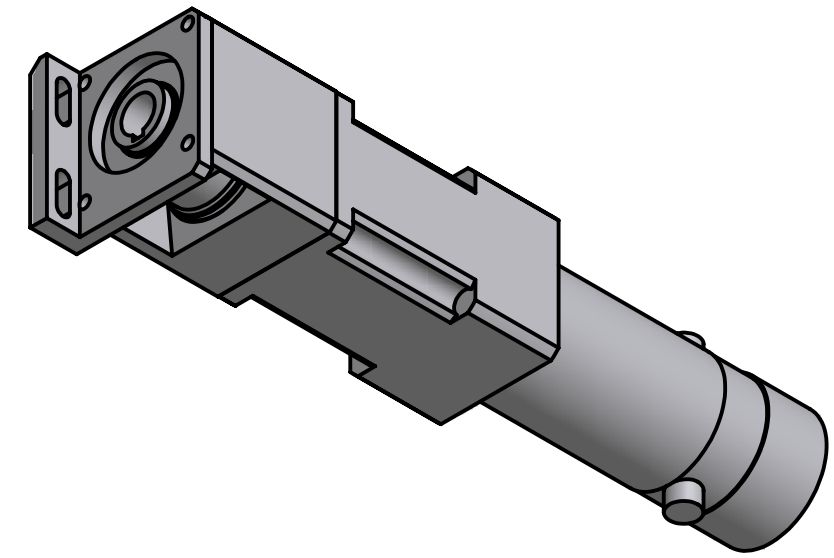
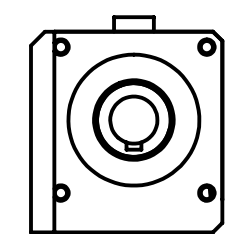
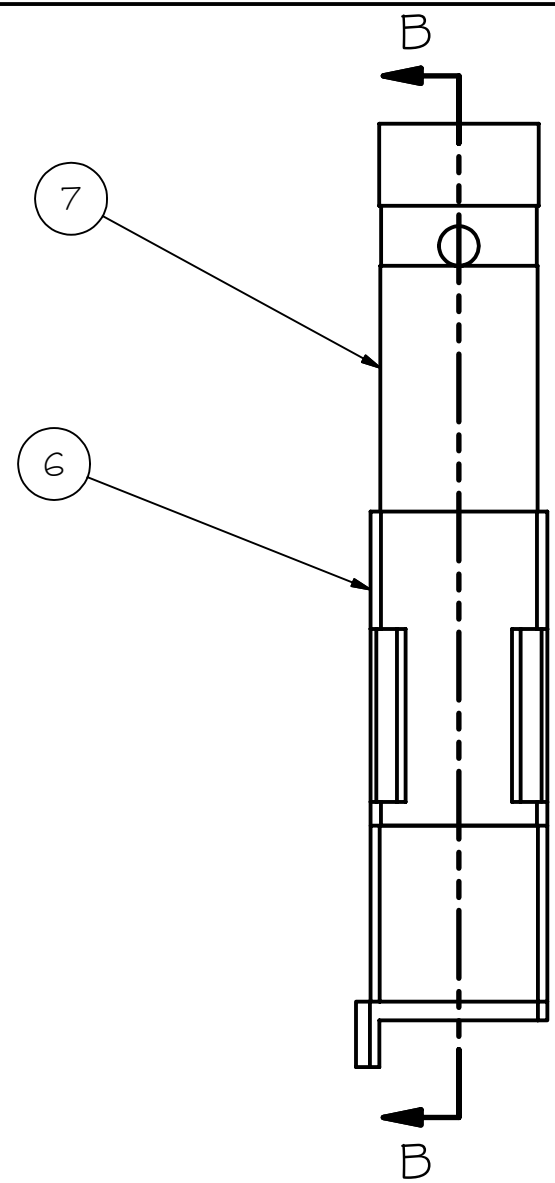
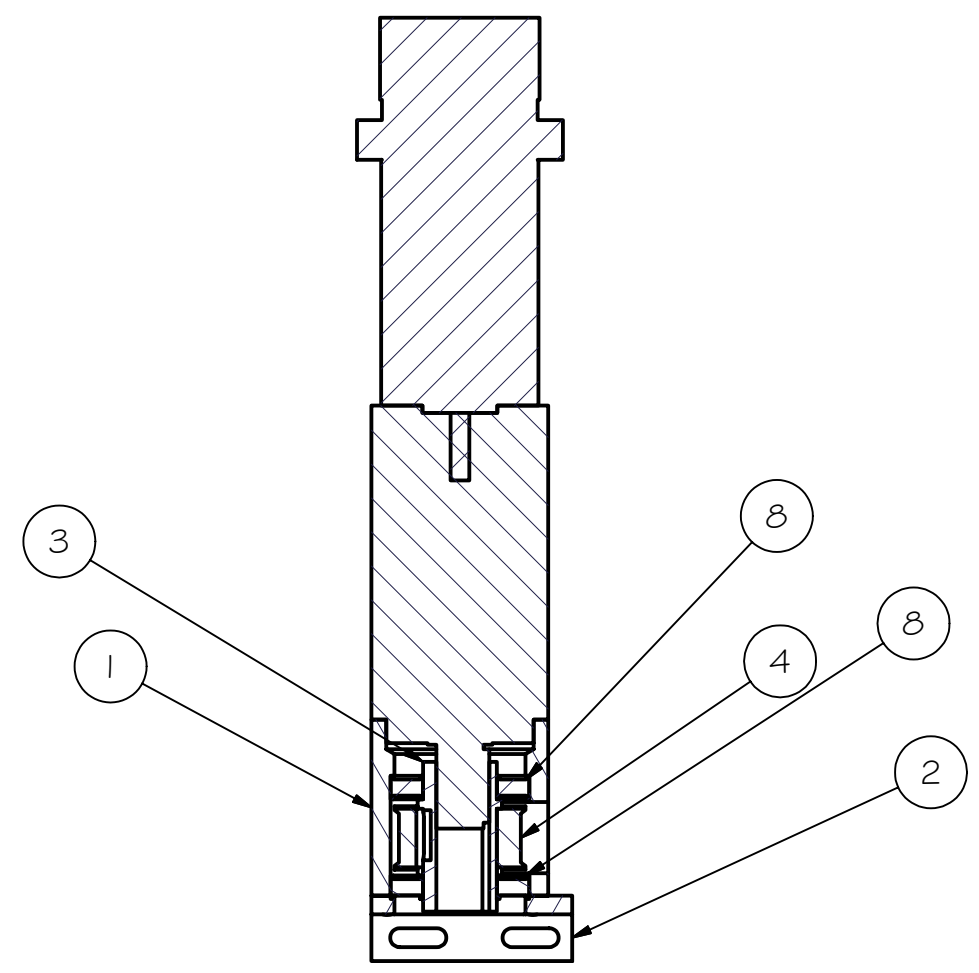


REV	DRWN	CHK'D	DATE	DESCRIPTION



Parts List			
ITEM	QTY	PART NUMBER	DESCRIPTION
1	1	A1310	PULLEY HOUSING
2	1	A1311	HOUSING COVER
3	1	A1312	SHAFT, MOTOR PULLEY
4	1	A1313	PIC PULLEY PT026G08L15T, MOTOR
5	1	A1314	BEARING RETAINER
6	1	GEARBOX	BAYSIDE PS-60 GEARBOX
7	1	MOTOR	Galil_50-1000
8	2	skf_16005	SKF 16005

SECTION B-B
SCALE 0.39 : 1



TOLERANCES UNLESS OTHERWISE NOTED:
 FRACTIONAL: 0"-6": ±1/64" 6"-24": ±1/32"
 24"+: ±1/16"
 DECIMAL: X.X: ±0.1000" X.XX: ±0.0100"
 X.XXX: ±0.0050" X.XXXX: ±0.0001"
 ANGLES: ±0.5° FINISH: 125 MICRO INCHES
 BREAK ALL SHARP EDGES & CORNERS 1/64" MAX



DRAWN: vernon 8/15/2003
 CHECKED:
 DESIGNED: vernon
 ENGINEER: vernon
 QTY: 1

Cassegrain ADC
 TITLE: MOTOR / GEARBOX ASSEMBLY
 PROJECT CODE: A1000
 DWG NO: A1300
 REV: A