

4

3

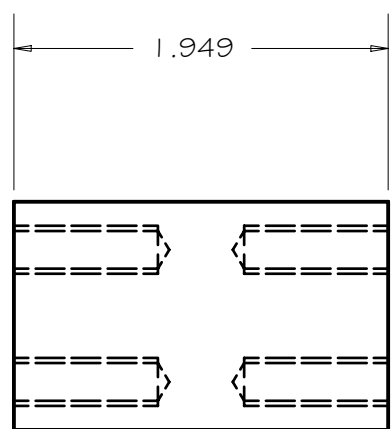
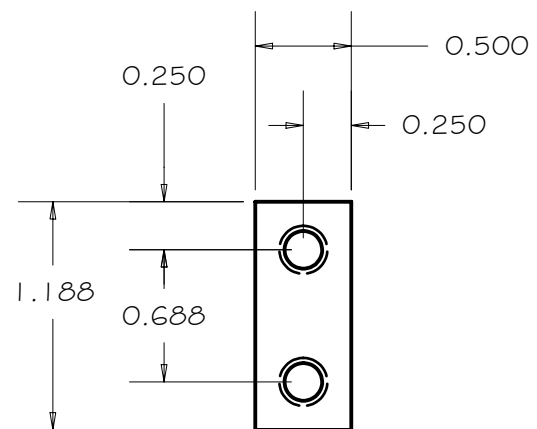
2

1

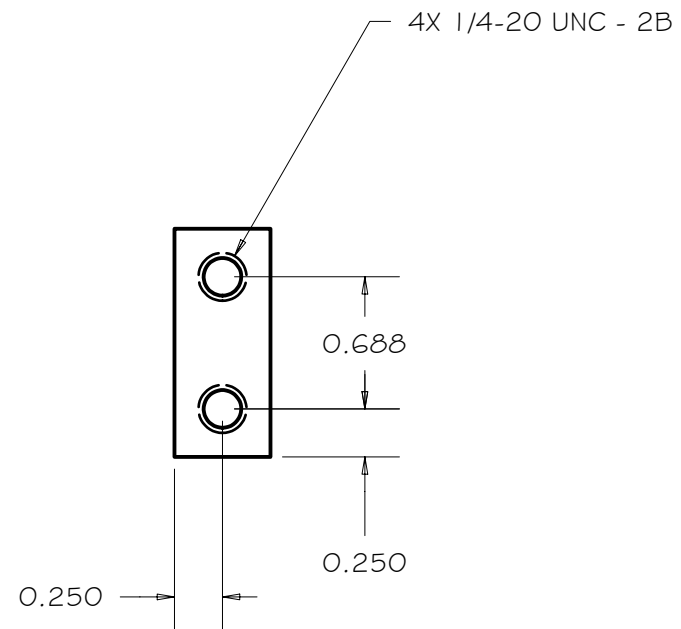
REV	DRWN	CHK'D	DATE	DESCRIPTION

B

B



SCALE 1 : 1



A

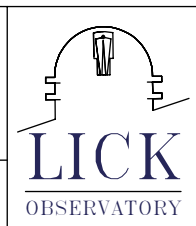
A

A

A

TOLERANCES UNLESS OTHERWISE NOTED:  
 FRACTIONAL: 0"-6": ±1/64" 6"-24": ±1/32"  
 24"+: ±1/16"  
 DECIMAL: X.X: ±0.1000" X.XX: ±0.0100"  
 X.XXX: ±0.0050" X.XXXX: ±0.0001"  
 ANGLES: ±0.5° FINISH: 125 MICRO INCHES  
 BREAK ALL SHARP EDGES & CORNERS 1/64" MAX

MATERIAL	FINISH
STEEL	



DRAWN	vernon	9/4/2003
CHECKED		
DESIGNED	vernon	
ENGINEER	vernon	

QTY: 1
--------

PROJECT CODE	DWG NO	REV
		A

Cassegrain ADC

TITLE

SPACER

NEXT ASSY	A1200	A1217
-----------	-------	-------

4

3

2

1

A