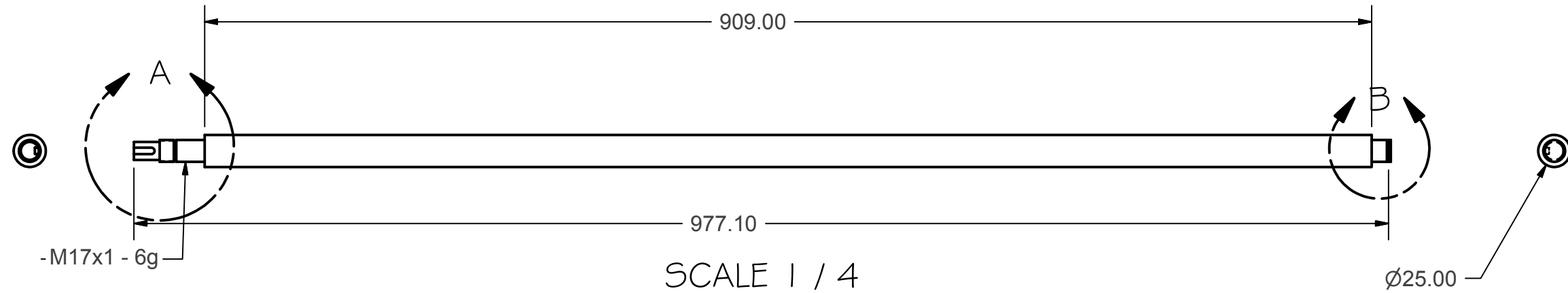
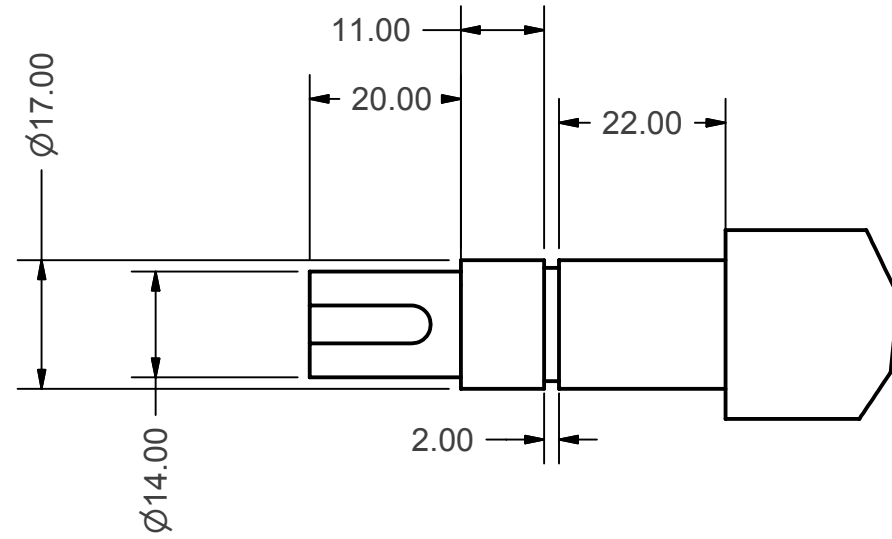


REV	DRWN	CHK'D	DATE	DESCRIPTION



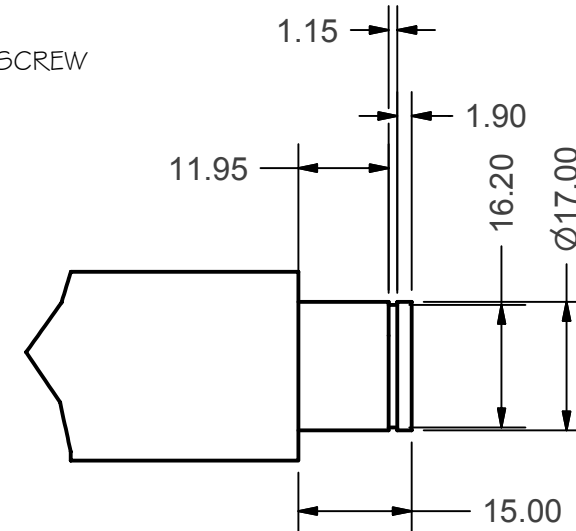
SCALE 1 / 4

NOTES:
THK BNF 2505L-5RR G2+909L C2 AP-CF BALL SCREW



RECOMMENDED SHAFT END SHAPE A
SHORTENED 5 MM
P. 100 THK CATALOG 75-1 BE

DETAIL A
SCALE 1 : 1



RECOMMENDED SHAFT END SHAPE C
P. 104 THK CATALOG 75-1 BE

DETAIL B
SCALE 1 : 1

TOLERANCES UNLESS OTHERWISE NOTED:
FRACTIONAL: 0"-6": ±1/64" 6"-24": ±1/32"
24"+: ±1/16"
DECIMAL: X.X: ±0.1000" X.XX: ±0.0100"
X.XXX: ±0.0050" X.XXXX: ±0.0001"
ANGLES: ±0.5° FINISH: 125 MICRO INCHES
BREAK ALL SHARP EDGES & CORNERS 1/64" MAX

MATERIAL	FINISH



DRAWN	vernon	2/3/2004
CHECKED		
DESIGNED	vernon	
ENGINEER	vernon	

PROJECT CODE		DWG NO	REV
NEXT ASSY		A1200	A
PROJECT CODE		A1200	A
TITLE		BALL SCREW, AFT	A
PROJECT CODE		A1200	A
DWG NO		A1211	A

Cassegrain ADC