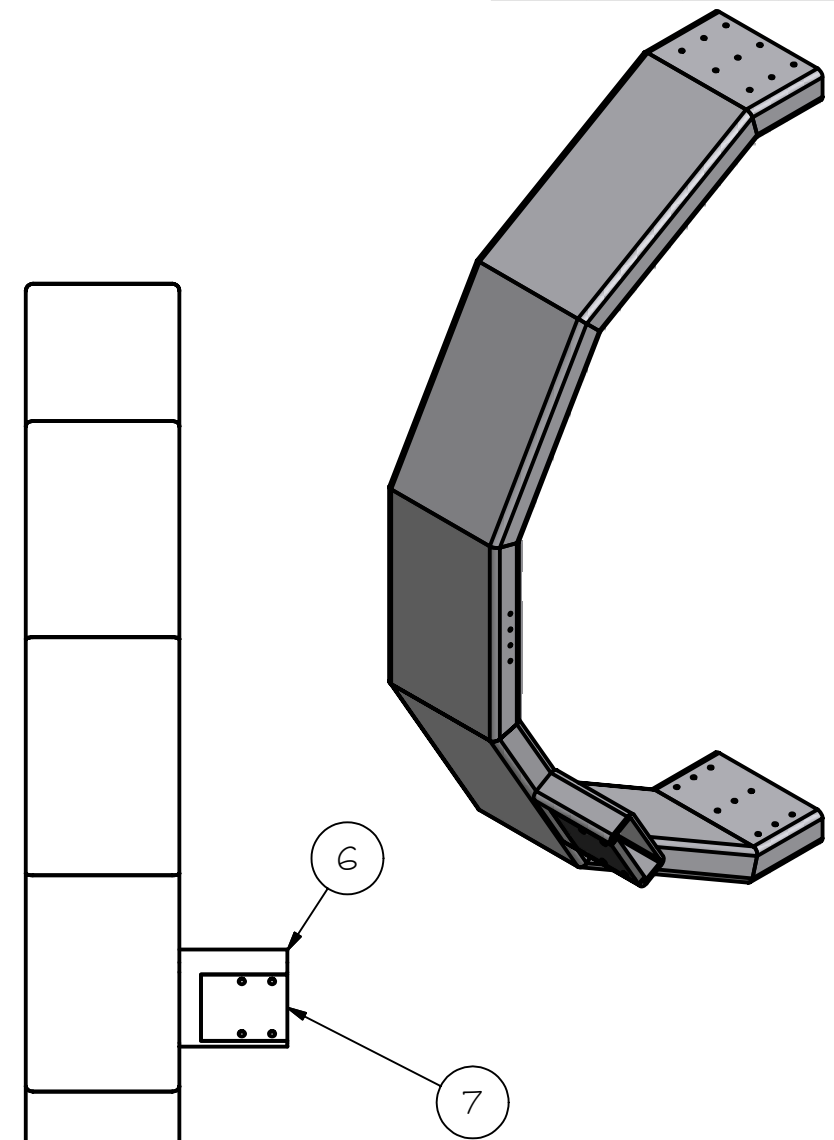
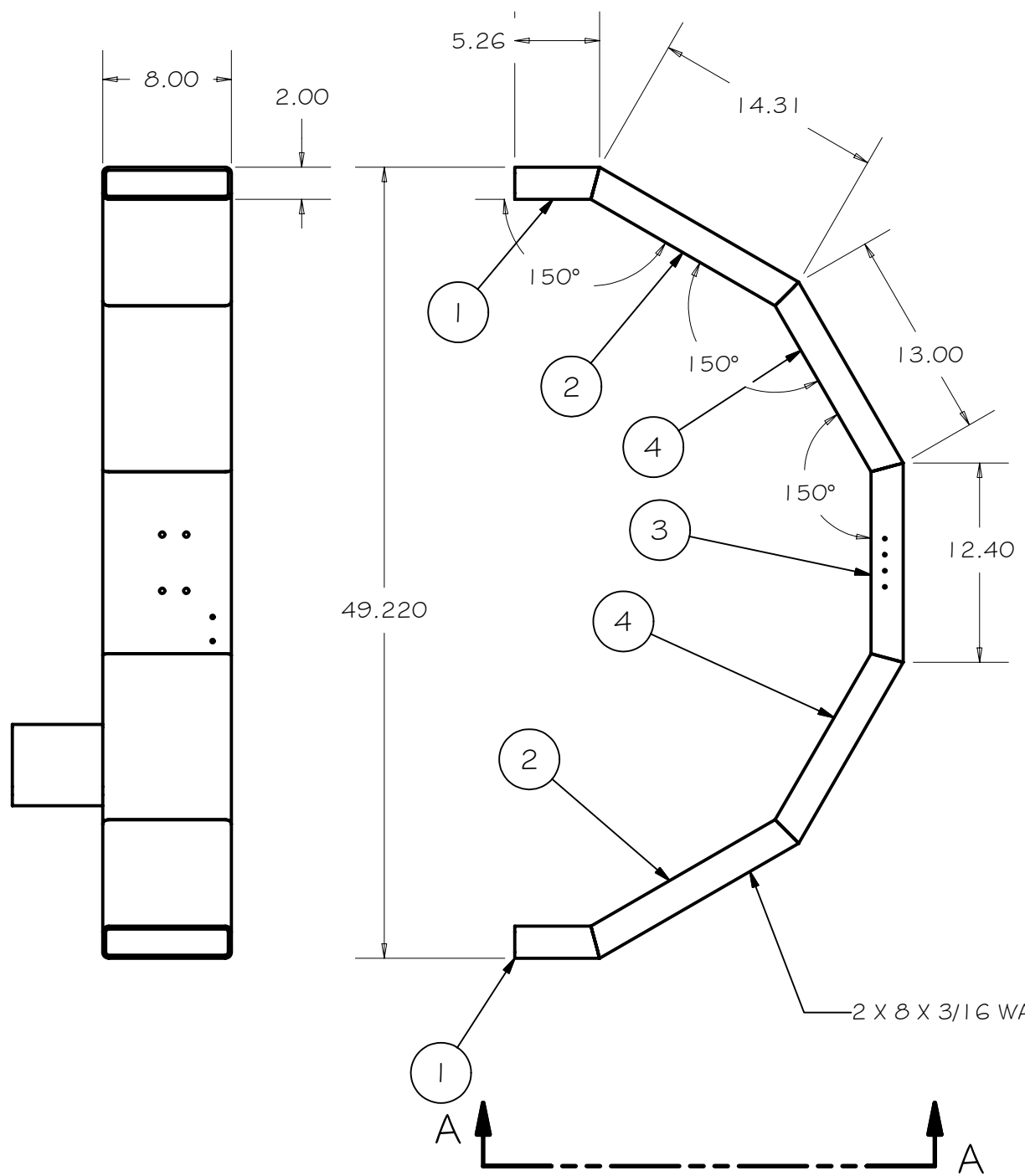


REV	DRWN	CHK'D	DATE	DESCRIPTION
-----	------	-------	------	-------------



Parts List			
ITEM	QTY	PART NUMBER	DESCRIPTION
1	2	A1151	BASE TUBE 1
2	2	A1152	BASE TUBE 2
3	1	A1153	BASE TUBE 3
4	2	A1154	BASE TUBE 4
6	1	A1155	HARDPOINT MOUNT SUPPORT
7	1	A1156	HARDPOINT MOUNT PAD

SCALE 1 / 10

TOLERANCES UNLESS OTHERWISE NOTED:  
 FRACTIONAL: 0"-6": ±1/64" 6"-24": ±1/32"  
 24"+: ±1/16"  
 DECIMAL: X.X: ±0.1000" X.XX: ±0.0100"  
 X.XXX: ±0.0050" X.XXXX: ±0.0001"  
 ANGLES: ±0.5° FINISH: 125 MICRO INCHES  
 BREAK ALL SHARP EDGES & CORNERS 1/64" MAX

MATERIAL	FINISH
STEEL	



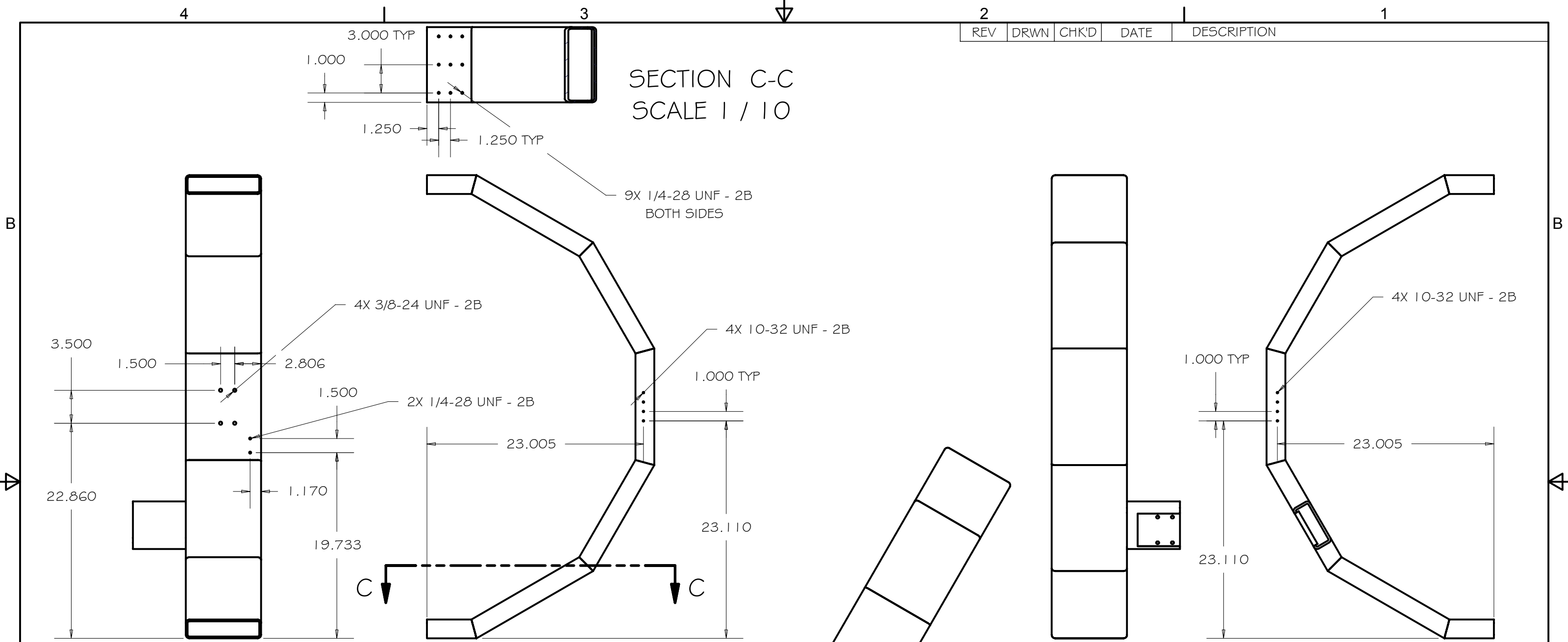
DRAWN	vernon	9/3/2003
CHECKED		
DESIGNED	vernon	
ENGINEER	vernon	
QTY: 1		

Cassegrain ADC

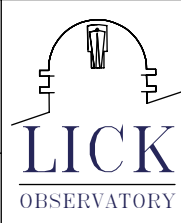
TITLE: FRAME WELDMENT, LOWER

PROJECT CODE	DWG NO	REV
A1100	A1150	A
NEXT ASSY		1/2

REV	DRWN	CHK'D	DATE	DESCRIPTION



TOLERANCES UNLESS OTHERWISE NOTED:  
 FRACTIONAL: 0"-6": ±1/64" 6"-24": ±1/32"  
 24"+: ±1/16"  
 DECIMAL: X.X: ±0.1000" X.XX: ±0.0100"  
 X.XXX: ±0.0050" X.XXXX: ±0.0001"  
 ANGLES: ±0.5° FINISH: 125 MICRO INCHES  
 BREAK ALL SHARP EDGES & CORNERS 1/64" MAX



DRAWN	vernon	9/3/2003
CHECKED		
DESIGNED	vernon	
ENGINEER	vernon	

PROJECT CODE		DWG NO	REV
NEXT ASSY		A1150	A
A1100			2/2

Cassegrain ADC

FRAME WELDMENT, LOWER

VIEW A-A  
SCALE 1 / 10

SECTION C-C  
SCALE 1 / 10