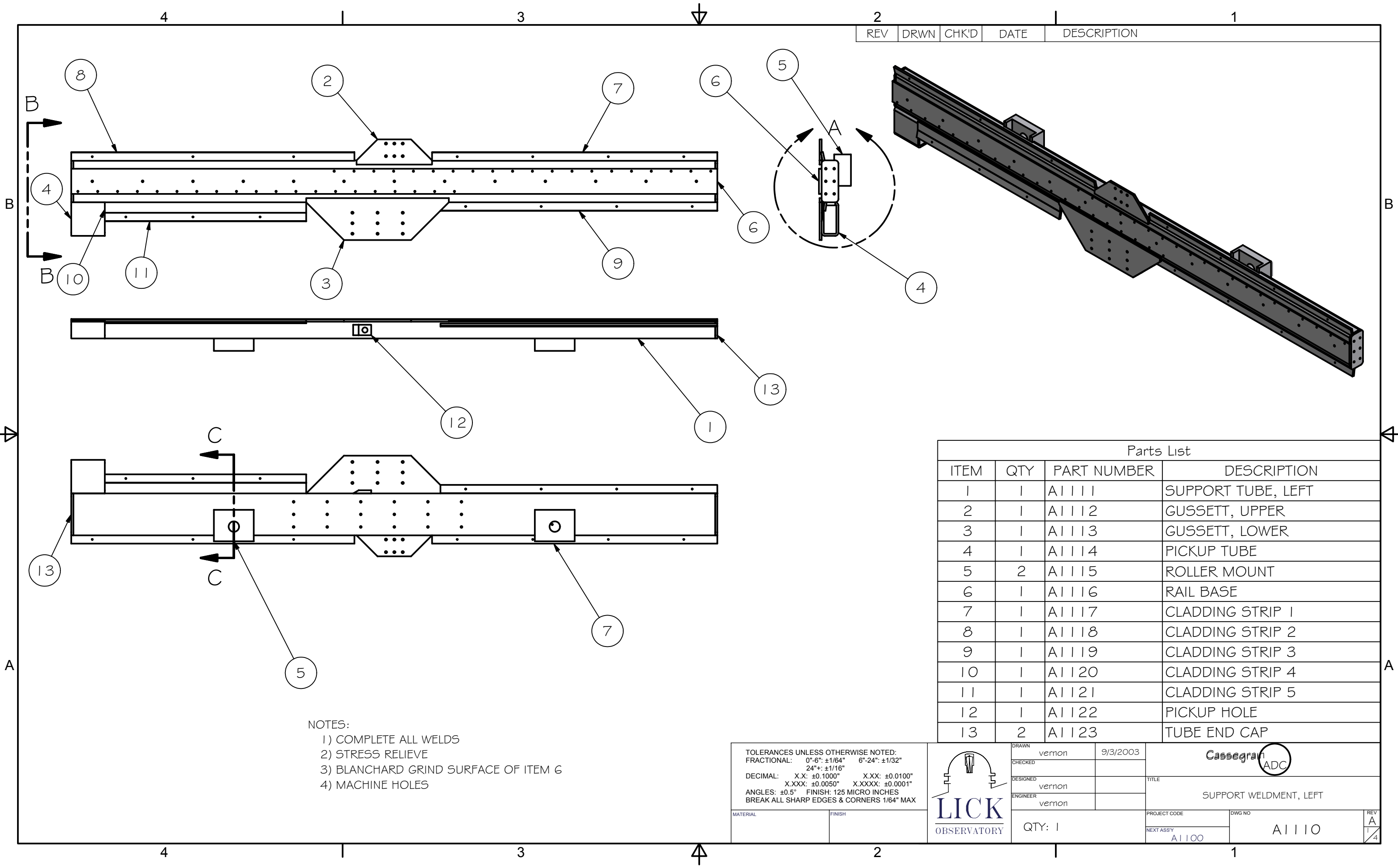


REV	DRWN	CHK'D	DATE	DESCRIPTION



Parts List			
ITEM	QTY	PART NUMBER	DESCRIPTION
1	1	A1111	SUPPORT TUBE, LEFT
2	1	A1112	GUSSETT, UPPER
3	1	A1113	GUSSETT, LOWER
4	1	A1114	PICKUP TUBE
5	2	A1115	ROLLER MOUNT
6	1	A1116	RAIL BASE
7	1	A1117	CLADDING STRIP 1
8	1	A1118	CLADDING STRIP 2
9	1	A1119	CLADDING STRIP 3
10	1	A1120	CLADDING STRIP 4
11	1	A1121	CLADDING STRIP 5
12	1	A1122	PICKUP HOLE
13	2	A1123	TUBE END CAP

- NOTES:
- 1) COMPLETE ALL WELDS
  - 2) STRESS RELIEVE
  - 3) BLANCHARD GRIND SURFACE OF ITEM 6
  - 4) MACHINE HOLES

TOLERANCES UNLESS OTHERWISE NOTED:  
 FRACTIONAL: 0"-6": ±1/64" 6"-24": ±1/32"  
 24"+: ±1/16"  
 DECIMAL: X.X: ±0.1000" X.XX: ±0.0100"  
 X.XXX: ±0.0050" X.XXXX: ±0.0001"  
 ANGLES: ±0.5° FINISH: 125 MICRO INCHES  
 BREAK ALL SHARP EDGES & CORNERS 1/64" MAX



DRAWN: vernon  
 CHECKED: [ ]  
 DESIGNED: vernon  
 ENGINEER: vernon

Cassegrain ADC  
 TITLE: SUPPORT WELDMENT, LEFT

PROJECT CODE: [ ] DWG NO: A1110  
 NEXT ASSY: A1100  
 QTY: 1  
 REV: A  
 1/4